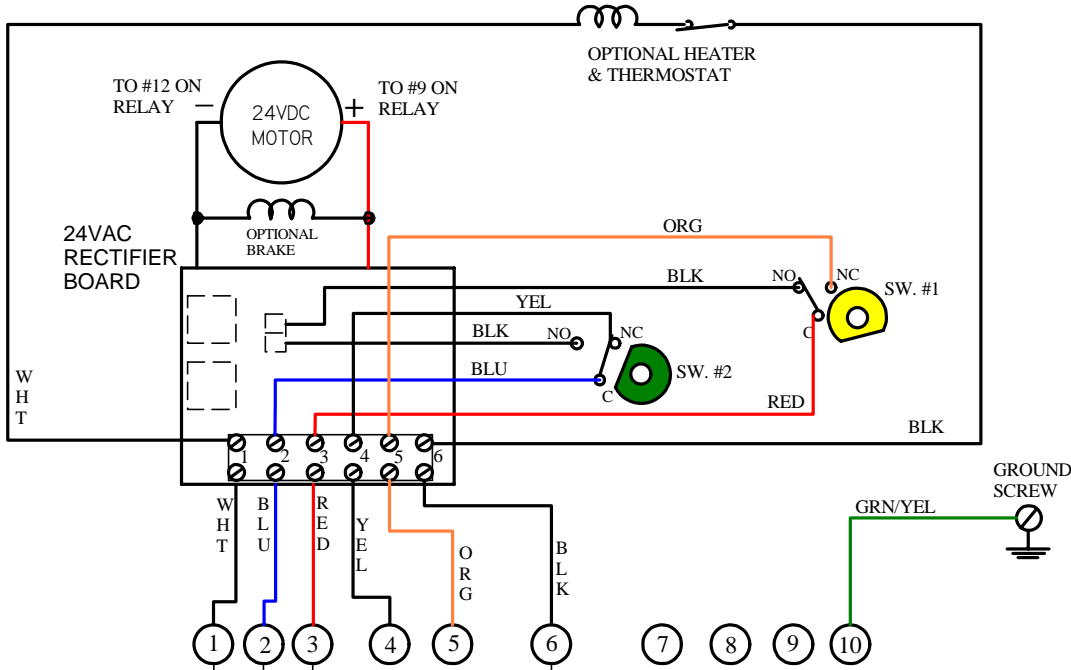
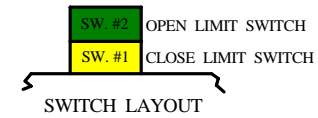


ACTUATOR SHOWN IN OPEN POSITION



REV.	DESCRIPTION	DATE	BY



SPDT CONTROL SWITCH SHOWN FOR ILLUSTRATION ONLY

### FIELD WIRING

N HOT  
24V.A.C. SUPPLY POWER

NOTES:  
POWER TO TERMINALS ONE & TWO OPENS THE VALVE (CCW ROTATION)  
POWER TO TERMINALS ONE & THREE CLOSSES THE VALVE (CW ROTATION)  
TERMINAL 6 FOR HEATER CONNECTION.  
TERMINALS 4 & 5 FOR LIGHT INDICATION.

**MOTOR WIRE RELAY CONNECTIONS:**  
"SD" 9 SECOND UNIT & "MH" = (+) PIN 12 // (-) PIN 9  
ALL OTHERS = (+) PIN 9 // (-) PIN 12

WIRING DIAGRAM, 24VAC M SERIES ACTUATOR WITH LIGHT INDICATION, OPTIONAL BRAKE & HEATER / THERMOSTAT		
<b>I C I</b>	<b>Indelac Controls, Co.</b> Florence, Ky. 41042	10AUG17 WJR
	<b>W170810</b>	