

ProVolt™ SERIES

MULTI-VOLTAGE ACTUATOR WITH OPTIONAL BATTERY BACKUP, NEMA 4, 4X AND/OR 7

The ProVolt Series Multiple Voltage Actuator is a quarter turn Rotary Actuator that will work with all voltage inputs. With the flip of an internal switch on the board, these actuators can accept any of the following input voltages: 115vac, 230vac, 24vac, 24vdc or 12vdc. **No more ordering or stocking separate voltage actuators!** This new series can operate loads from 400 to 1500 in/lbs.

The PV Series can also be ordered with the Optional Battery Backup Feature. When installed, the actuator's internal battery will provide power to the motor in the event of an external power failure. The actuator can be configured in the field for FAIL OPEN or FAIL CLOSE. Switching from external power to battery power is seamless – when the external power source fails, the internal transfer circuit switches to battery power automatically without any operator intervention.

This unit can be ordered as a standard OPEN/CLOSE actuator or with the Modulating Option for precise valve position control using 4–20mA, 0–10V or 1–5V external input signal.

NOTE: The Modulating Option CANNOT be added in the field.

SPECIFICATIONS:

TORQUE	PV4	400 In-Lb (45.2 Nm)
	PV6	600 In-Lb (67.8 Nm)
	PV10	1,000 In-Lb (113 Nm)
	PV15	1,500 In-Lb (169.5 Nm)
CYCLE TIME	PV4	10 sec. / 90°
	PV6	15 sec. / 90°
	PV10	23 sec. / 90°
	PV15	30 sec. / 90°
DUTY CYCLE		100% Standard (at 100% ambient temperature at rated torque)
LOCKED ROTOR CURRENT		2.5 Amps @ 12vdc
ACTUATOR FULL LOAD AMPS		AC: 115vac @ 0.45A; 230vac @ 0.28A; 24vac @ 1.3A DC: 24vdc @ 1.3A; 12vdc @ 1.8A
OPERATING VOLTAGES/POWER		AC: 115vac, 50/60Hz @ 55W; 230vac, 50/60Hz @ 55W; 24vac, 50/60Hz @ 35W DC: 24vdc @ 35W; 12vdc @ 25W
MAINS WIRING REQUIRED		18 AWG, 300V, 105°C minimum for all voltages, Class 1 Wiring 12 AWG maximum (Terminal block maximum rated); Max. run with 12 AWG on DC units is 80 Feet.
INCOMING POWER FUSE		TE5 Pico Fuse, 250V @ 4A Rectangular Box
MOTOR FUSE		TE5 Pico Fuse, 250V @ 2.5A Rectangular Box
AUXILIARY SWITCH RATING		Dry Contact, 10 Amps @ 250vac Maximum
INPUT SIGNAL CONTACT RATING		12vdc @ 0.5A minimum (Dry Contact Only – NO External Voltage)
POSITION INDICATION		Dome Style Visual Indicator
CERTIFICATION		



Process Control Equipment for use in Hazardous Locations
Class I, Div. 1 Groups C & D
Class II, Div. 1 Groups E, F & G



ProVolt™ SERIES

MULTI-VOLTAGE ACTUATOR WITH OPTIONAL BATTERY BACKUP, NEMA 4, 4X AND/OR 7

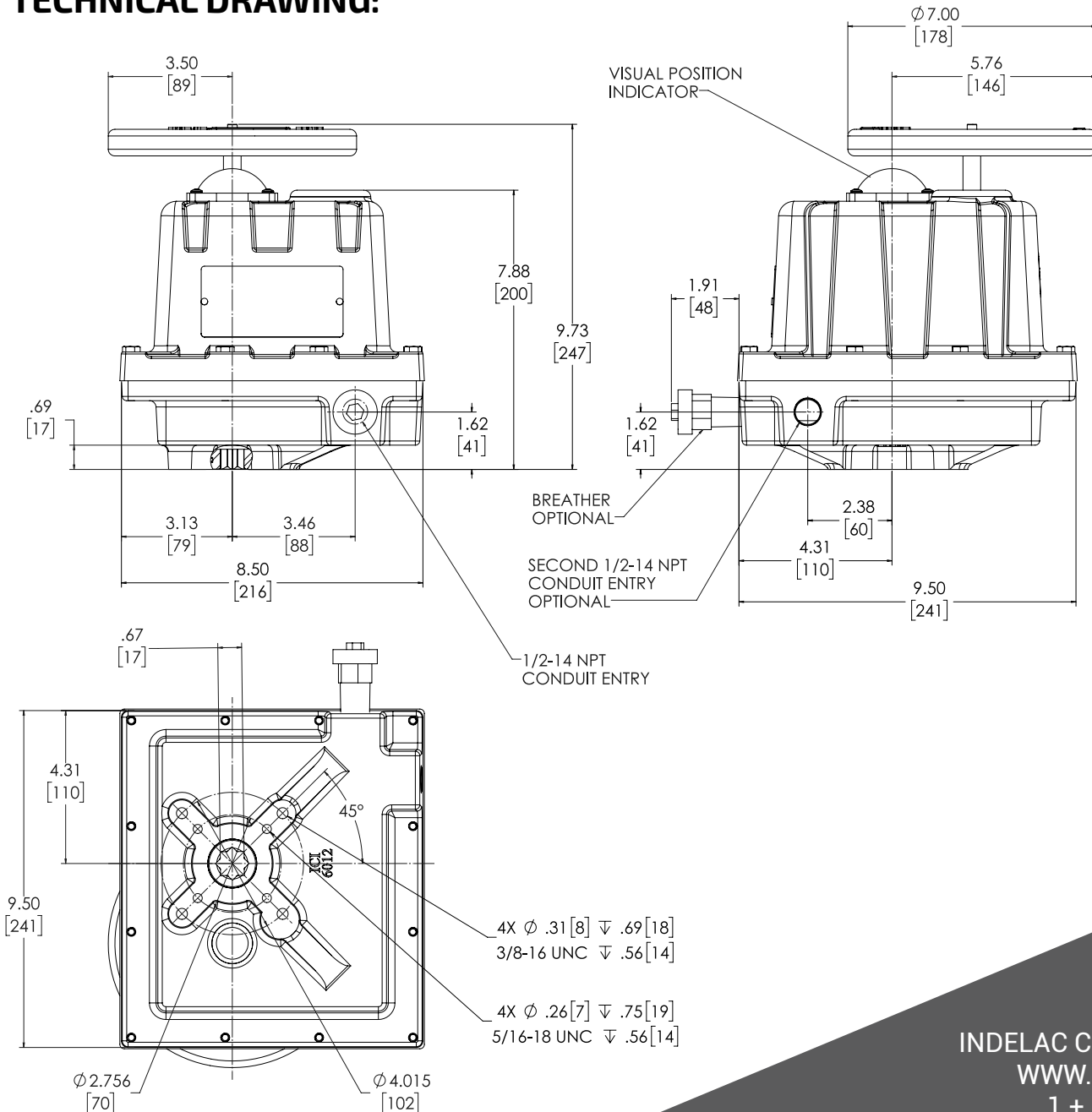
INDELAC

CONTROLS, INC.

ELECTRIC ACTUATORS AND CONTROLS

WEIGHT	18 Lb (8.2 kg)
MOUNTING PAD	ISO 5211 F07 & F10 with 17mm female star drive
MOUNTING	Universal
OPERATING TEMPERATURES	-4°F to 104°F (-20°C to 40°C); Heater required below 0°F
OPTIONAL HEATER POWER	Add 15 Watts for optional 12vdc self-regulating heater
OPTIONAL BATTERY	12vdc, 0.8AHr, Sealed Lead Acid (SLA), Rechargeable Battery recharge time = approximately 8 Hours Battery life on trickle charge = 3-4 years

TECHNICAL DRAWING:



INDELAC CONTROLS, INC
WWW.INDELAC.COM
1 + 859-727-7890