

# S SERIES NEMA 7

## SPECIFICATIONS:

Torque	200 Lb-In & 300 Lb-In
Cycle time	5 seconds/90° 115Vac & 230Vac 10 seconds/90° with 75% duty cycle
Duty Cycle	25% standard 115Vac & 230Vac 75% optional 75% 12Vdc, 24Vdc & 24Vac
Motor	Permanent split capacitor 115Vac/1ph/50-60Hz standard With thermal over load protection
L. R. Current	200 Lb-In 0.75 amps 115Vac 300 Lb-In 0.99 amps 115Vac 0.38 amps 230Vac 4.2 amps 12Vdc, 2.6 amps 24Vdc
Enclosure	NEMA 4 standard
Coating	Thermally bonded polyester powder
Fasteners	300 series stainless steel
Output	ISO 5211 F05 300 series stainless steel
Mounting Pad	ISO 5211 F03, F05 & F07
Over Ride	Manual, not declutching Declutching manual over ride optional DC voltage must be declutching

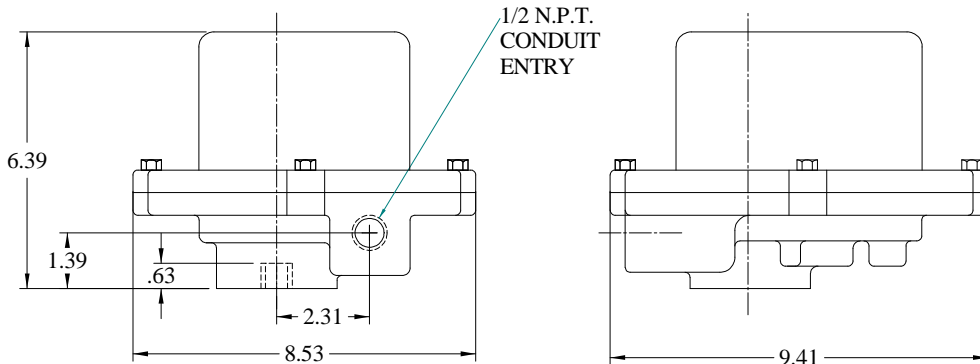
Brake	Friction, standard
Position Ind.	Visual indicator Wired for light indication
Weight	8 Lbs.
Lubrication	Permanent
Installation	Universal
Temp. Range	-40°F. to 150°F. Heater & thermostat required 0°F. & below
Switches	SPDT snap action 16 amp ½ HP 125, 250Vac, 0.5amp 125Vdc



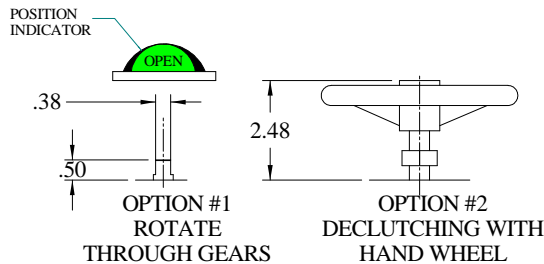
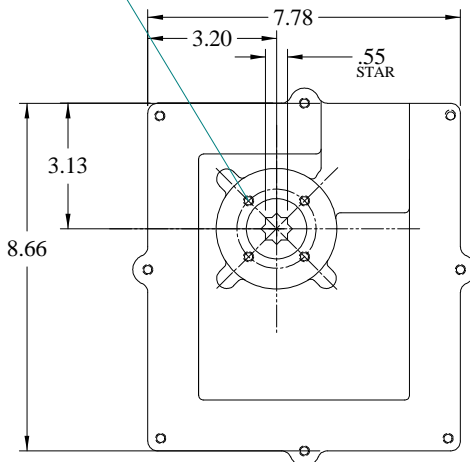
CSA Certified File #LR79567  
Class I Groups C & D, Class II Groups E, F & G  
Div. 1 & 2

Model SR7BF05-5

ALLOW 4" FOR COVER  
REMOVAL



4, 1/4-20 TAP 7/16 DP.  
1.969 B.C.



**OPTIONAL MANUAL OVER RIDE AND  
POSITION INDICATOR**