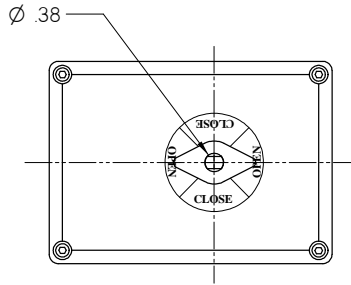


R SERIES NEMA 4

SPECIFICATIONS:

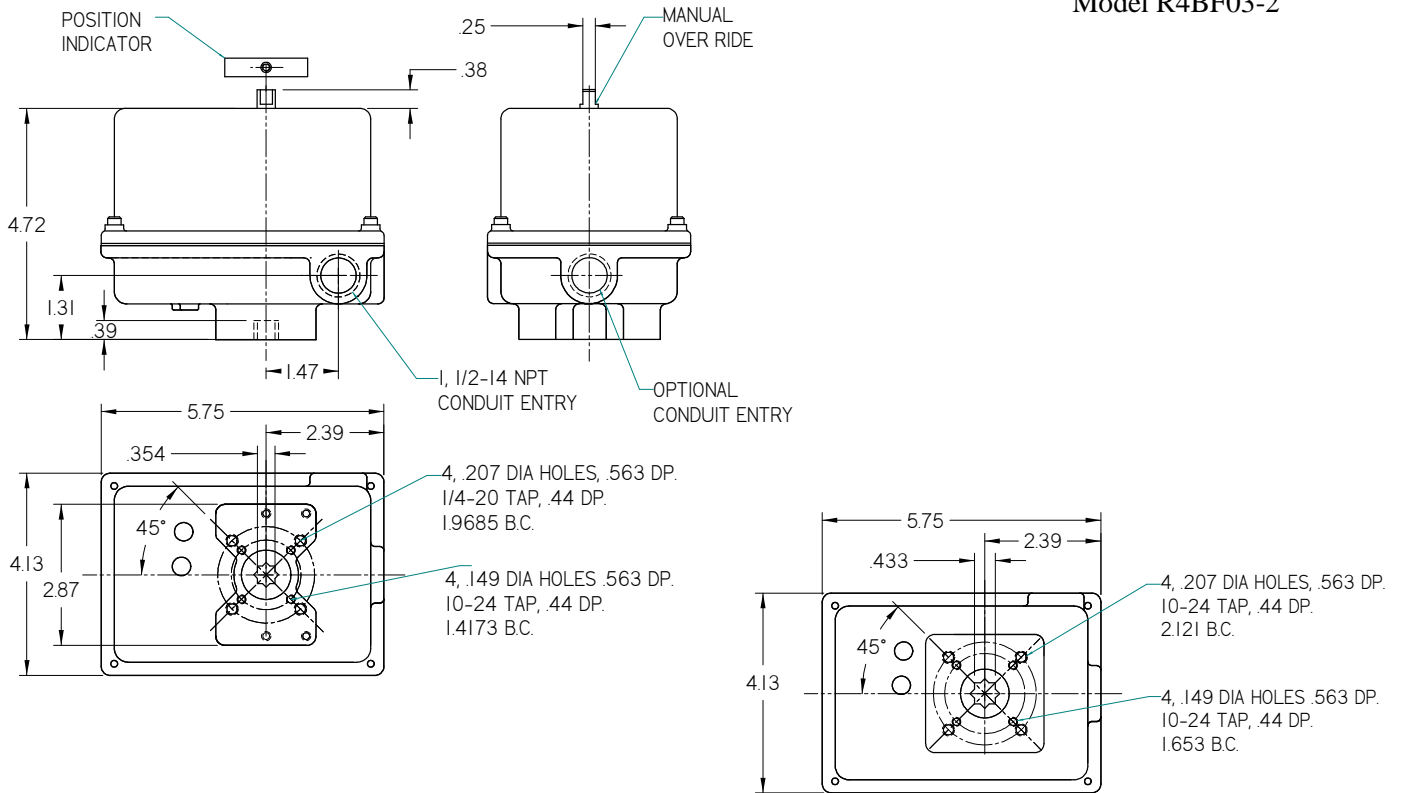
Torque	100 Lb-In	Output	ISO 5211 F03, F04 or F03/04 300 series stainless steel
Cycle time	2.5 seconds/90° 115Vac & 230Vac 3.0 seconds/90° 12Vdc, 24Vdc & 24Vac	Over Ride	Manual, not declutching Not available on DC voltage or NEMA 7
Duty Cycle	25% standard 115Vac & 230Vac 75% 12Vdc, 24Vdc & 24Vac	Brake	Friction, standard
Motor	Permanent split capacitor 115Vac/1ph/50-6Hz standard With thermal over load protection	Position Ind.	Visual indicator Wired for light indication
L. R.	Current 0.55 amps 115Vac, 0.38 amps 230Vac 2.4 amps 12Vdc, 2.5 amps 24Vdc	Weight	5 Lbs.
Enclosure	NEMA 4 standard, CSA certified NEMA 7 optional not certified	Lubrication	Permanent
Coating	Thermally bonded polyester powder	Installation	Universal
Fasteners	Captive, 300 series stainless steel	Temp. Range	-40°F. to 150°F. Heater & thermostat required 0°F. & below
		Switches	SPDT snap action 16 amp ½ HP 125, 250Vac, 0.5amp 125Vdc



ALLOW 2-1/2" FOR COVER REMOVAL



Model R4BF03-2



R Series F04 mounting pad