

M SERIES NEMA 4

SPECIFICATIONS:

Torque	400 Lb-In model MS, 675 Lb-In model MR 1000 Lb-In model ML 1500 Lb-In model MH
Cycle time	MS 10 seconds/90° 115, 230Vac & 12Vdc MS 20 seconds/90° 75% duty, 24Vdc & 24Vac MR & ML 15 seconds/90° 115, 230Vac & 12Vdc MR & ML 30 seconds/90° 75% duty, 24Vdc & 24Vac MH 30 seconds/90° 115, 230Vac & 12Vdc MH 70 seconds/90° 75% duty, 24Vdc & 24Vac
Duty Cycle	25% standard 115Vac & 230Vac 75% optional 75% 12Vdc, 24Vdc & 24Vac
Motor	Permanent split capacitor 115Vac/1ph/50-60Hz standard With thermal over load protection
L. R. Current	115Vac MS & MR= 0.75 amps 115Vac ML & MH= 0.99 amps 230Vac MS, MR, ML & MH=0.38 amps 12Vdc 4.2 amps, 24Vdc 2.6 amps
Enclosure	NEMA 4 standard
Coating	Thermally bonded polyester powder
Fasteners	300 series stainless steel

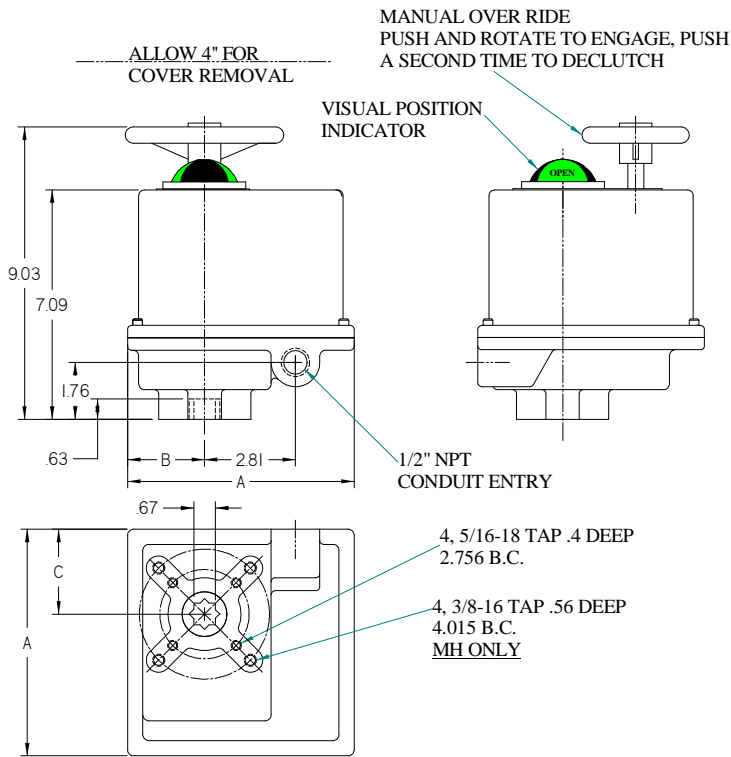
Output	ISO 5211 F07 300 series stainless steel
Mounting Pad	ISO 5211 F07
Over Ride	Manual, declutching
Brake	Friction, standard
Position Ind.	Visual indicator Wired for light indication
Weight	13 Lbs.
Lubrication	Permanent
Installation	Universal
Temp. Range	-40°F. to 150°F. Heater & thermostat required below
0°F. & Switches	SPDT snap action 16 amp ½ HP 125, 250Vac, 125Vdc
0.5amp	



Model MH4BF07-30



Model MR4BF07-15



Model	Dimensions		
	A	B	C
ML, MR & MS	7.0	2.38	2.63
MH	8.5	3.13	3.38