

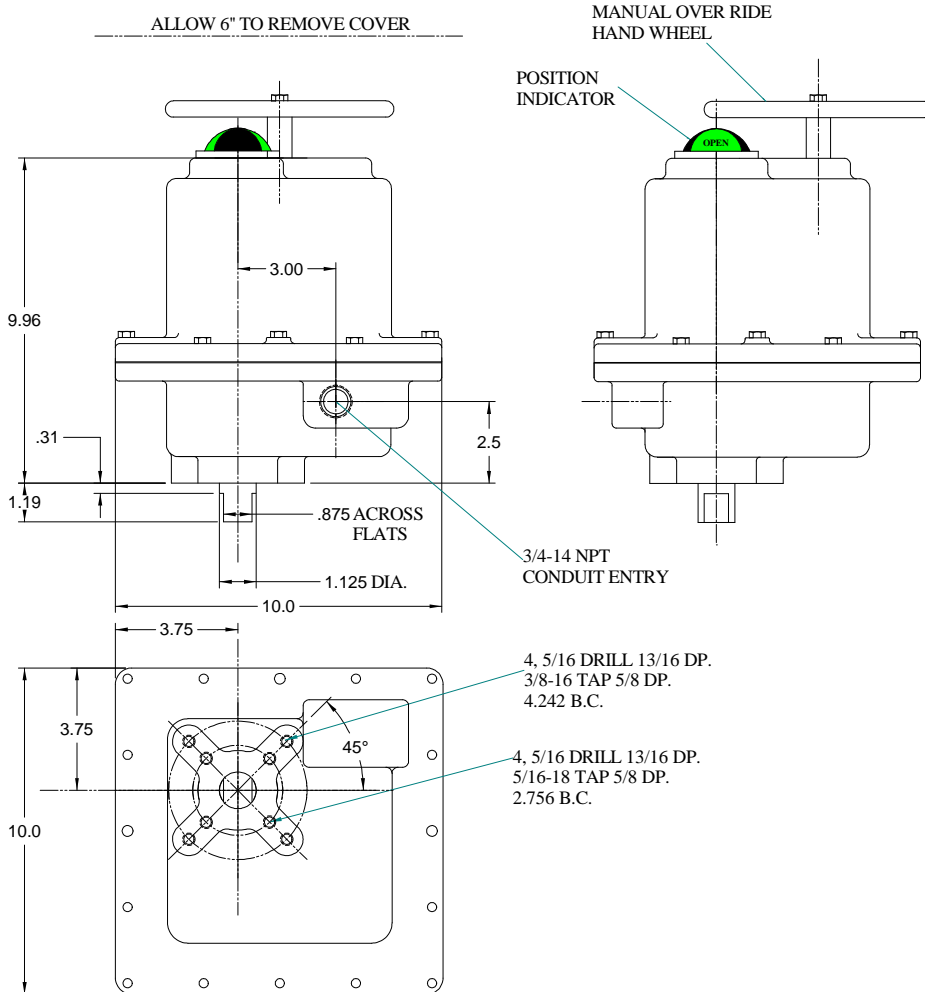
L SERIES NEMA 4

SPECIFICATIONS:

Torque	LA...2000 Lb-In, LX...3840 Lb-In	Position Ind.	Visual indicator
Cycle time	LA...12 seconds/90° LX...14 seconds/90°	Weight	Wired for light indication 30 Lbs.
Duty Cycle	Continuous	Lubrication	Permanent
Motor	Permanent split capacitor 115Vac/1ph/50-60Hz standard With thermal over load protection	Installation	Universal
L. R. Current	115Vac LA= 1.50 amps (FL=0.98 amps) 115Vac LX= 2.90 amps 230Vac LA= .80 amps 230Vac LX=1.50 amp 12Vdc LA=4.93 amps 12Vdc LX=6.83 amps	Temp. Range	-40°F. to 150°F. Heater & thermostat required 0°F. & below
Enclosure	NEMA 4 standard, NEMA 7 optional	Switches	SPDT snap action 16 amp ½ HP 125, 250Vac, 0.5amp 125Vdc
Coating	Thermally bonded polyester powder		
Fasteners	300 series stainless steel		
Output	ISO 5211 F07 300 series stainless steel		
Mounting Pad	Male double "D" shaft with 4.242 BC		
Over Ride	Manual, declutching		
Brake	Power Off, optional		



L Series NEMA TYPE 4



L Series NEMA TYPE 7