

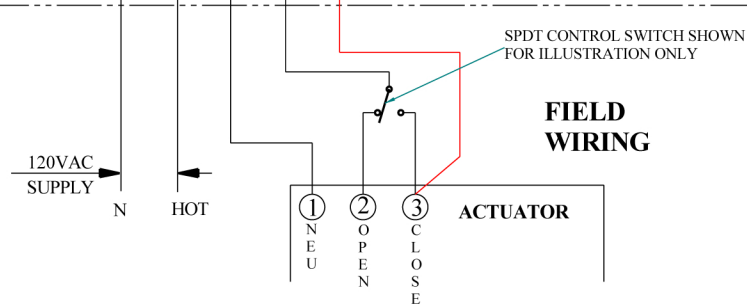
**ELECTRIC FAIL-SAFE DEVICE**

NOTES:  
ACTUATOR SHOWN TO FAIL TO CLOSE POSITION.

- T1 = NEUTRAL
- T2 = 120V-1PH SUPPLY
- T3 = NEUTRAL, OUTPUT
- T4 = 120V-1PH OUTPUT POWER
- T5 = 120V-1PH BACKUP POWER
- T6 = NOT USED

BACKUP POWER IS SQUARE SINE WAVE.

NOTE:  
INVERTER SWITCH IS TURNED OFF DURING SHIPMENT, TURN INVERTER SWITCH TO ON POSITION OR SYSTEM WILL NOT OPERATE CORRECTLY.



**FIELD WIRING**

——— FIELD WIRING  
- - - - - OPTIONAL

<b>IC I</b> Indelac Controls, Inc. Florence, Ky. 41042	
WIRING DIAGRAM FOR ELECTRIC FAIL-SAFE DEVICE 120VAC-1PH SUPPLY POWER	8-15-03 JLR
<b>W030815FS</b>	

**Battery Back Up Fail-Safe Device**