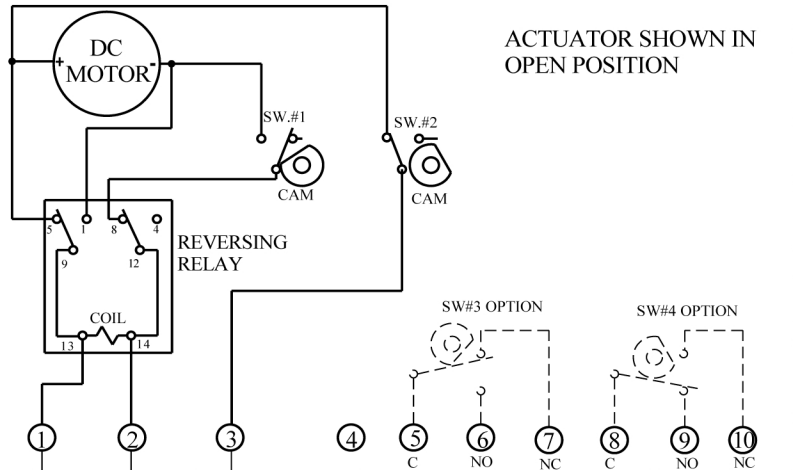


ACTUATOR SHOWN IN  
OPEN POSITION



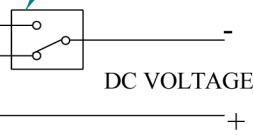
SW.#4	OPEN AUX. SW.
SW.#3	CLOSE AUX. SW.
SW.#1	OPEN SW.
SW.#2	CLOSE SW.

OPERATION:  
POWER TO 1 & 2 TO OPEN (CCW)  
POWER TO 1 & 3 TO CLOSE (CW)  
5, 6 & 7 AUX. SW. FOR CLOSE POSITION  
8, 9 & 10 AUX. SW. FOR OPEN POSITION

NOTE:  
AUXILIARY SWITCHES ARE OPTIONAL  
ACTUATOR IS AVAILABLE WITH ONE OR  
TWO AUXILIARY SWITCHES

FIELD WIRING

SPDT SWITCH SHOWN FOR  
ILLUSTRATION ONLY



<b>IC<sub>1</sub></b>	Indelac Controls, Inc. Florence, Ky. 41042	
	WIRING DIAGRAM FOR S SERIES WITH DC MOTOR, REVERSING RELAY & 2 AUXILIARY SWITCHES	
JLR	4-1-03	<b>W030401</b>

**Two Position DC Actuator with Reversing Relay**