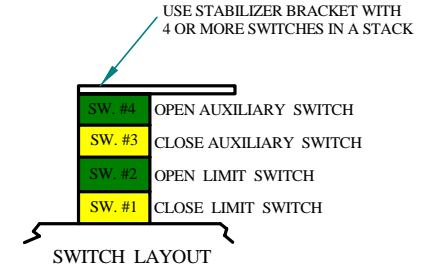
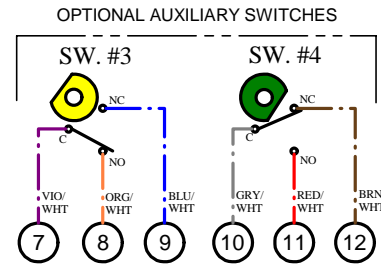
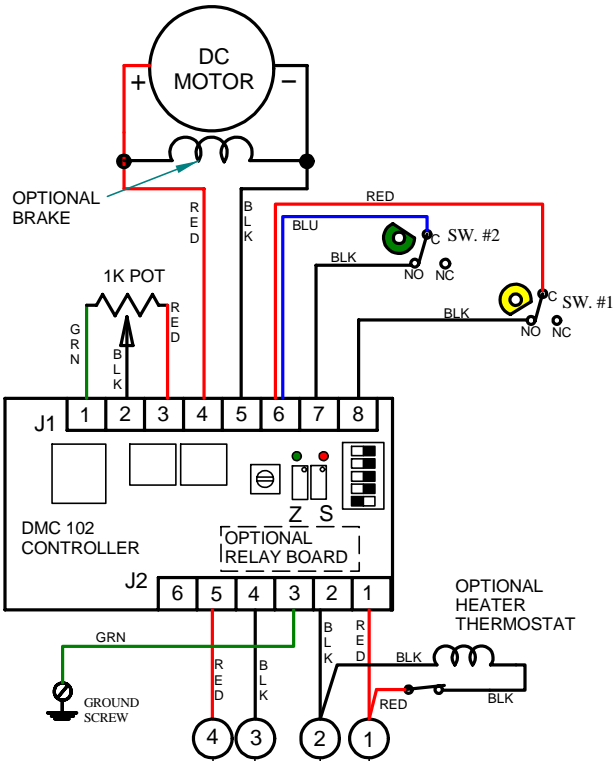


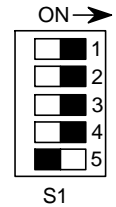
ACTUATOR SHIPPED IN OPEN POSITION
UNLESS OTHERWISE SPECIFIED



SPECIFICATIONS

POWER REQUIREMENTS:
Operating voltage....10 to 30 VDC

DC MOTOR OUTPUTS:
Maximum locked rotor current = 60A
Full Load Amps = 10A



NOTES:

FEEDBACK POTENTIOMETER AND LIMIT SWITCHES ARE PRESET AT THE FACTORY AND DO NOT REQUIRE ADJUSTMENT. ADJUST THE OPEN AND CLOSE OF THE VALVE USING THE ZERO (4mA) AND SPAN (20mA) POTS ON THE CONTROLLER BOARD. THE 4-20mA OUTPUT CAN BE ADJUSTED USING THE ZERO AND SPAN POTS ON THE TRANSMITTER BOARD. SEE MANUAL FOR S1 SWITCH SETTINGS. SETTINGS ABOVE ARE FOR NORMAL CONTROL FUNCTION, 4-20mA CONTROL SIGNAL AND MOTOR OFF IF COMMAND SIGNAL IS LOST (STANDARD). **THE USER IS REQUIRED TO MAKE SURE THAT THE DC POWER GROUND (-) AND THE CONTROL SIGNAL GROUND (-) ARE TIED TOGETHER.**

SEE NOTE

COMMAND SIGNAL

12 TO 30 VDC
POWER SUPPLY

FIELD WIRING

SD DEEP BASE UNIT REQUIRES THAT THE RED AND GREEN POTENTIOMETER WIRES BE REVERSED; RED - J1-1 & GREEN - J1-3.

8	ADDED NOTE FOR SD POT WIRING CHANGE	08JUL16	WJR
7	NEW WIRING COLOR CHANGE TO AUXILIARY SWITCH WIRES	15MARI6	WJR
6	NEW VENDOR BOARD; CHANGED PINOUT CONNECTIONS	09JUNI5	WJR
5	REDRAWN W/CHGS - MODIFIED T.B. FOR POWER & SIGNAL	05SEPI4	WJR
NO.	REVISION	DATE	BY

I C I Indelac Controls, Inc.
Florence, Ky. 41042

WIRING DIAGRAM, DC ELECTRIC ACTUATOR WITH
4-20mA CONTROL, OPTIONAL HEATER/THERMOSTAT
AND 2 AUXILIARY SWITCHES

JLR

1-9-97

W970109T