

MODELS: SR & SX

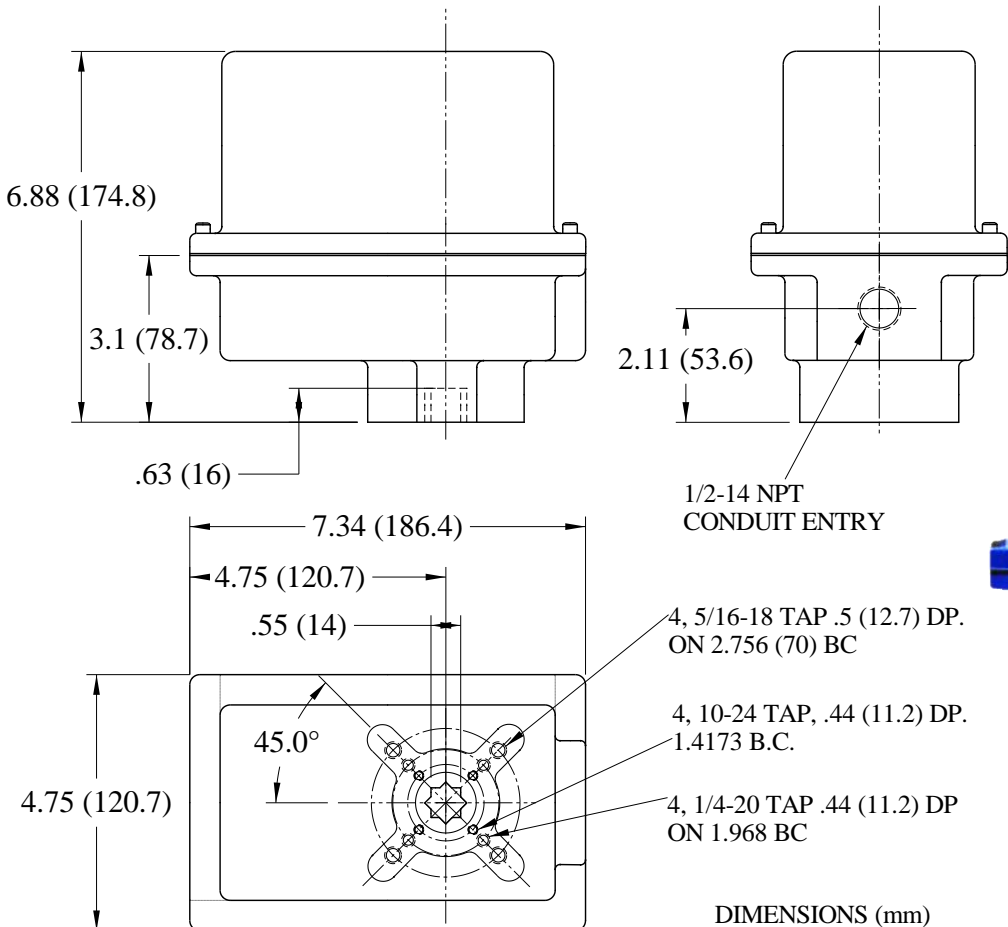
NEMA 4 DEEP BASE

SPECIFICATIONS:

Torque	200 Lb-In (22.6 Nm) & 300 Lb-In (33.9 Nm)	Fasteners	Captive, 300 series stainless steel
Cycle time	5 seconds/90° 115Vac & 230Vac 10 seconds/90° with 75% duty cycle 9.0 seconds/90° 12Vdc, 24Vdc & 24Vac	Output	ISO 5211 F05 300 series stainless steel
Duty Cycle	25% standard 115Vac & 230Vac 75% optional 75% 12Vdc, 24Vdc & 24Vac	Mounting Pad	ISO 5211 F03, F05 & F07
Motor	Permanent split capacitor 115Vac/1ph/50-60Hz standard With thermal over load protection	Over Ride	Optional
L. R. Current	200 Lb-In 0.75 (22.6 Nm) amps 115Vac 300 Lb-In 0.99 (33.9 Nm) amps 115Vac 0.38 amps 230Vac 4.2 amps 12Vdc, 3.2 amps 24Vdc	Brake	Friction, standard
Enclosure	NEMA 4 standard	Position Ind.	Visual indicator optional Wired for light indication
Coating	Thermally bonded polyester powder	Weight	14 Lbs.
		Lubrication	Permanent
		Installation	Universal
		Temp. Range	-40°F. to 150°F. Heater & thermostat required 0°F. & below
		Switches	SPDT snap action 16 amp ½ HP 125, 250Vac, 0.5amp 125Vdc

NOTE: 24Vac motors are 24Vdc motors rectified for use with 24Vac voltage.

ALLOW 3" (76.2) FOR
COVER REMOVAL



S-Series Deep Base NEMA 4

