

R SERIES NEMA 7

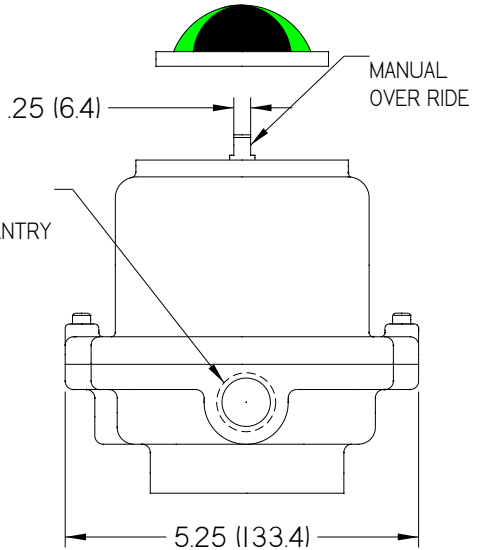
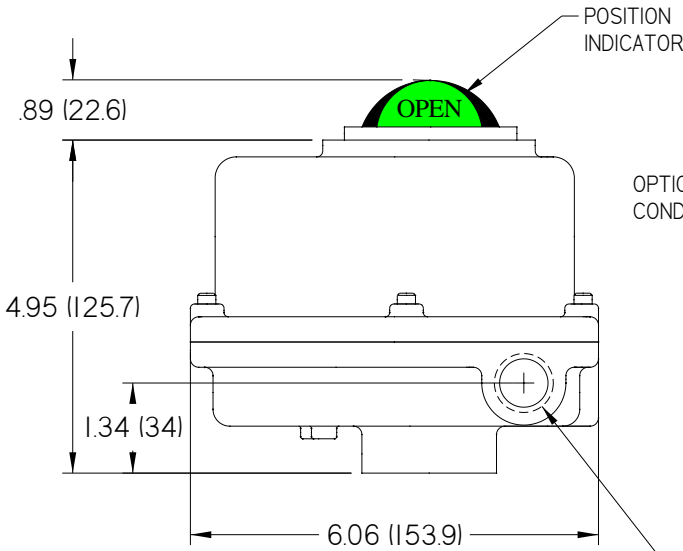
SPECIFICATIONS:

Torque 100 Lb-In (11.30 Nm)
Cycle time 2.5 seconds/90° 115Vac
Duty Cycle 25% standard 115Vac
Motor Permanent split capacitor
 115Vac/1ph/50-6Hz standard
 with thermal over load protection
L. R. Current 0.55 amps 115Vac
 0.38 amps 230Vac
 2.9 amps 12Vdc
 2.4 amps 24Vdc

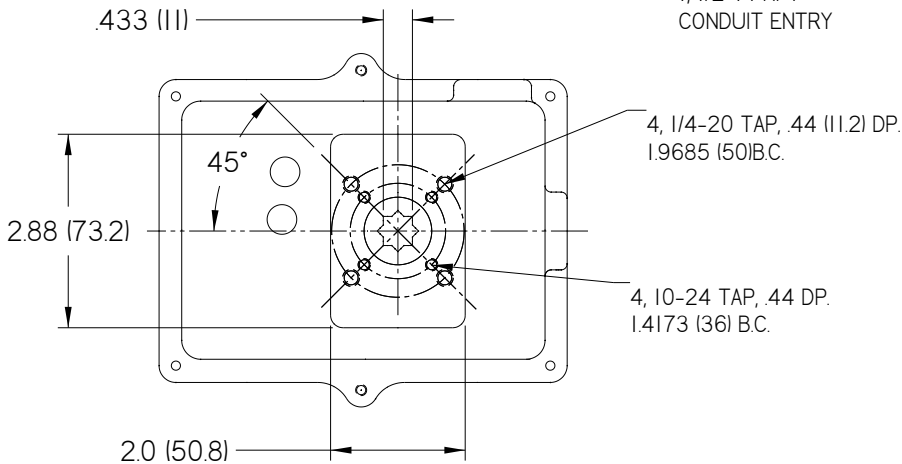
Enclosure NEMA 7 not certified, Class I group C&D,
 Class II group E, F & G Div. 1&2 Specifications
Output ISO 5211 F03
Position Ind. Visual indicator
 Wired for light indication
Lubrication Permanent
Weight 8 Lbs.
Installation Universal
Temp. Range -40°F. to 140°F.
 Heater & thermostat required 0°F. & below

REMOVE DOME TO ACCESS
 MANUAL OVER RIDE

ALLOW 2-1/2" (63.5) FOR COVER REMOVAL



1, 1/2-14 NPT
 CONDUIT ENTRY



R-Series NEMA 7

