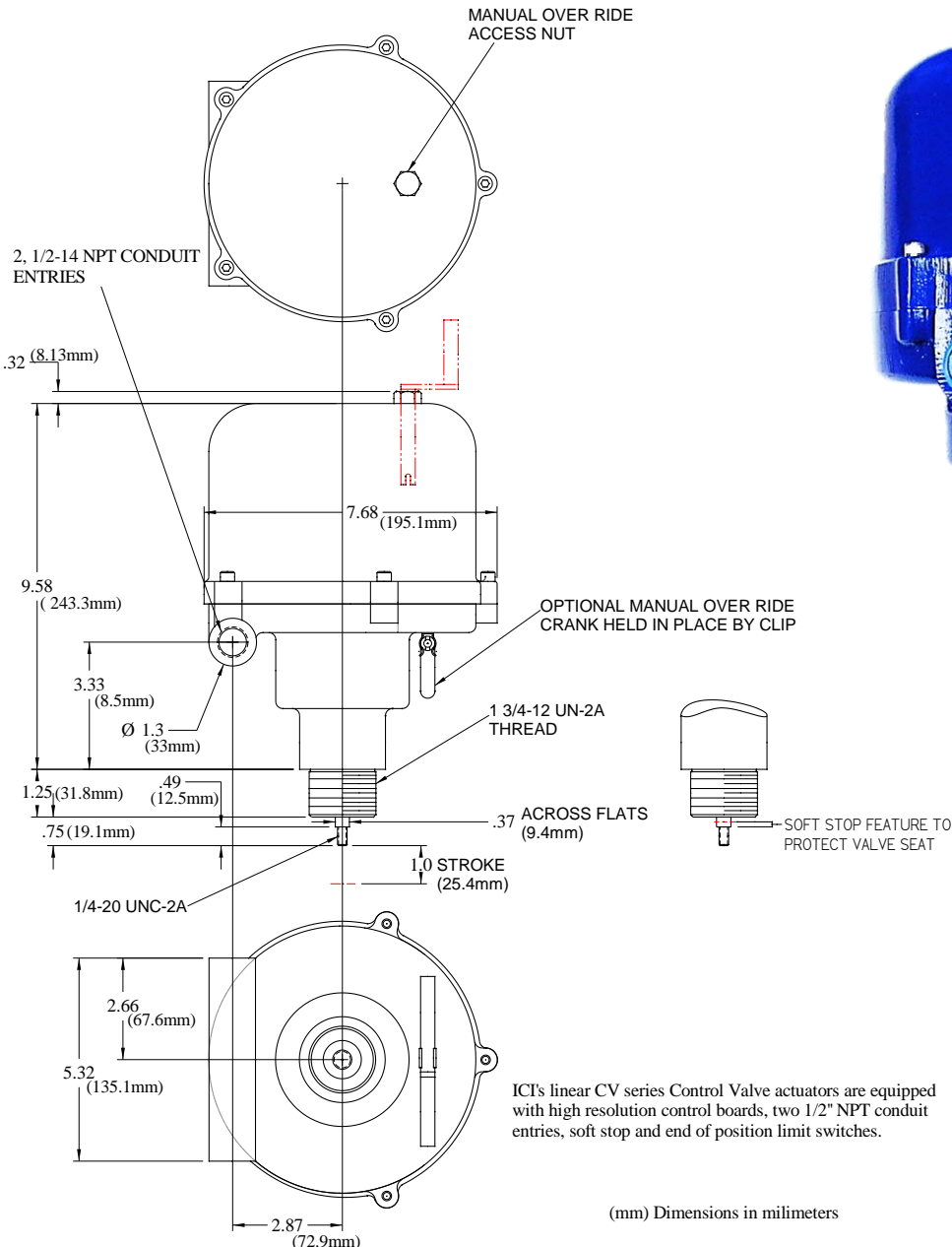


# CV SERIES

## LINEAR ACTUATOR

**SPECIFICATIONS:**

<b>Thrust</b>	165 Lbs.	<b>Fasteners</b>	Captive, 300 series stainless steel
<b>Cycle time</b>	9.6 IPM	<b>Output Drive</b>	300 series stainless steel
<b>Duty Cycle</b>	75% duty cycle	<b>Position Ind.</b>	4-20mA optional
<b>Motor</b>	Permanent split capacitor 115Vac/1ph/50-60Hz standard With thermal over load protection 12 & 24Vdc available	<b>Weight</b>	20 Lbs.
<b>L. R. Current</b>	0.58 amps 115Vac	<b>Lubrication</b>	Permanent
<b>Enclosure</b>	NEMA type 4, 4X, 9 & 7 for Class I, Groups C & D, Class II, Groups E, F & G, Division 1 & 2 Hazardous Location.	<b>Installation</b>	Universal
<b>Coating</b>	Thermally bonded polyester powder	<b>Temp. Range</b>	-40°F. to 140°F. Heater & thermostat required 0°F. & below
		<b>Limit Switches</b>	SPDT snap action (optional on 4-20mA control) 16 amp ½ HP 125, 250Vac, 0.5amp 125Vdc
		<b>Potentiometer</b>	Linear
		<b>Positioner</b>	Digital high performance 4-20mA



**CV-Series**

ICI's linear CV series Control Valve actuators are equipped with high resolution control boards, two 1/2" NPT conduit entries, soft stop and end of position limit switches.

(mm) Dimensions in millimeters

