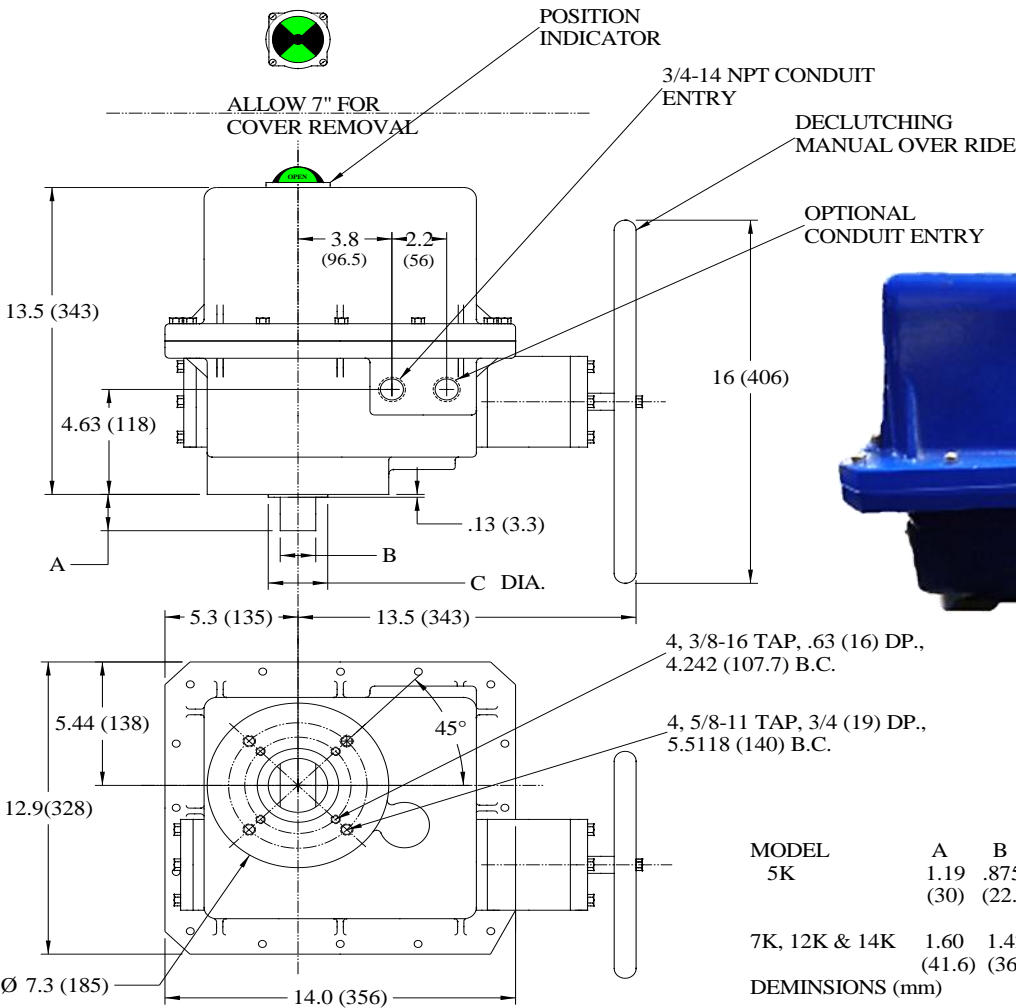


MODELS: 5K, 7K, 12K & 14K

NEMA 4 & 7

SPECIFICATIONS:

Torque	Model 5K=5000 Lb-In (565 Nm) Model 7K=7020 Lb-In (793 Nm) Model 12K=11520 Lb-In (1302 Nm) Model 14K=14040 Lb-In (1586 Nm)	Enclosure	NEMA 4 standard NEMA 7 optional
Cycle time	Model 5K=38 seconds/90° Model 7K=38 seconds/90° Model 12K=43 seconds/90° Model 14K=68 seconds/90°	Coating	Thermally bonded polyester powder Fasteners 300 series stainless steel
Duty Cycle	30 Minutes	Mounting Pad	Male double "D" shaft 300 series stainless steel
Motor	Permanent split capacitor 115Vac/1ph/50-60Hz standard With thermal over load protection	Over Ride	Manual, declutching
L. R. Current	115Vac 5K=2.9 amps, 7K=4.1 amps 12K & 14K=7.1 amps 230Vac 5K= 1.5 amps, 7K=2.3 am 12K & 14K=3.8 amps 12Vdc 5K=4.93 amps, 7K=6.83 amps 24Vdc 5K= amps, 7K= amps	Brake	Power Off, optional
		Position Ind.	Visual indicator Wired for light indication
		Weight	110 Lbs.
		Lubrication	Permanent
		Installation	Universal
		Temp. Range	-40°F. to 150°F. Heater & thermostat required 0°F. & below
		Switches	SPDT snap action 16 amp ½ HP 125, 250Vac, 0.5amp 125Vdc



K-Series NEMA 4

MODEL	A	B	C
5K	1.19 (30)	.875 (22.2)	1.13 (28)
7K, 12K & 14K	1.60 (41.6)	1.42 (36.1)	2.38 (60.5)
DIMENSIONS (mm)			

