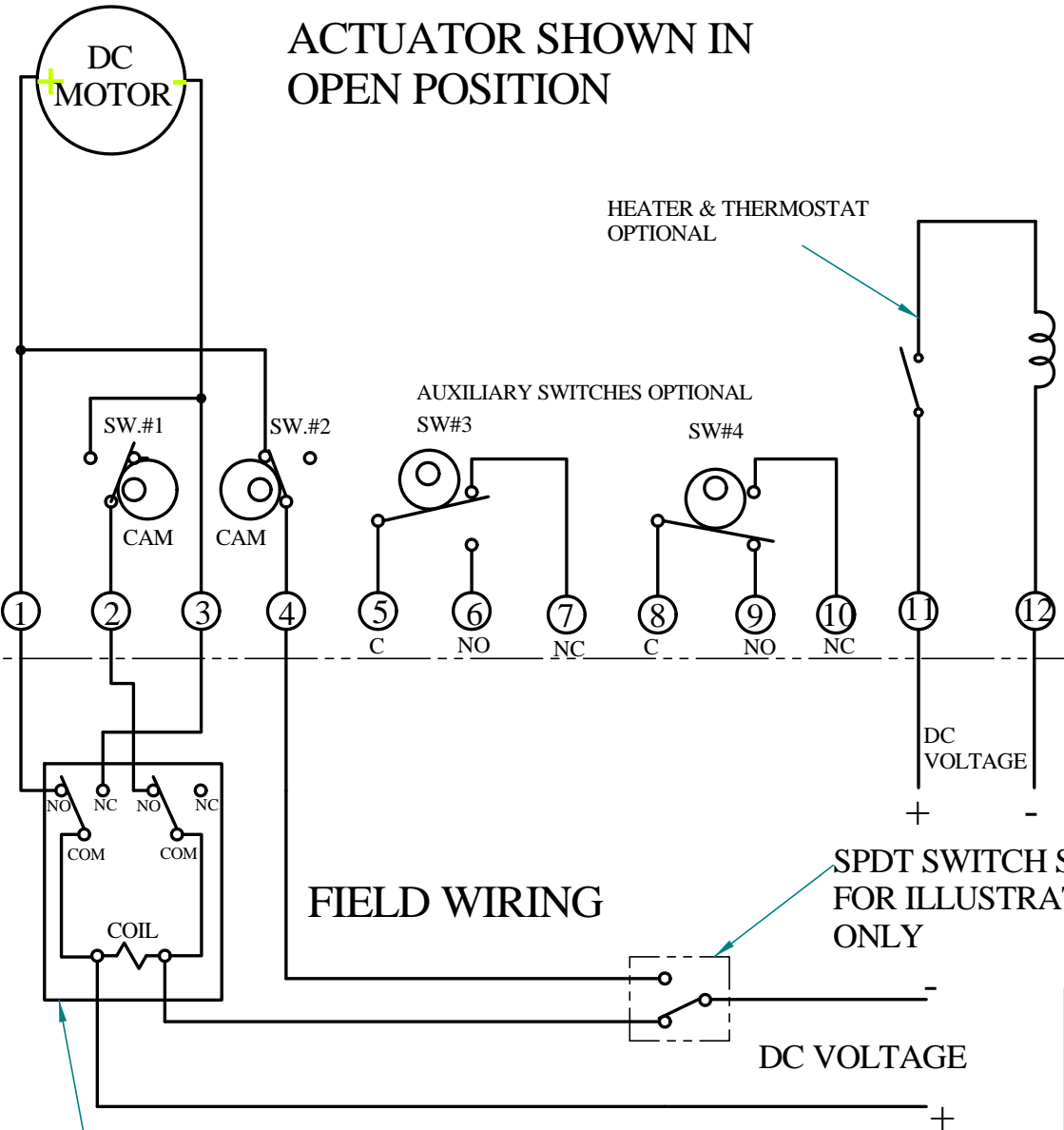


ACTUATOR SHOWN IN OPEN POSITION



SW.#4	OPEN AUX. SW.
SW.#3	CLOSE AUX. SW.
SW.#1	OPEN SW.
SW.#2	CLOSE SW.

OPERATION:
 POS. TO 1 & NEG. TO 2 TO OPEN (CCW)
 POS. TO 3 & NEG. TO 4 TO CLOSE (CW)
 5, 6 & 7 AUX. SW. FOR CLOSE POSITION
 8, 9 & 10 AUX. SW. FOR OPEN POSITION
 11 & 12 FOR SUPPLY POWER TO HEATER & THERMOSTAT.

REVERSING RELAY SUPPLIED BY CUSTOMER

Indelac Controls, Inc. Hebron, Ky. 41048	
Wiring diagram for S series DC Voltage electric actuator.	
JLR	8-6-98
980806	B