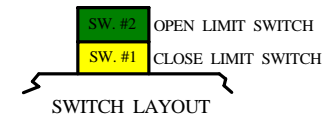
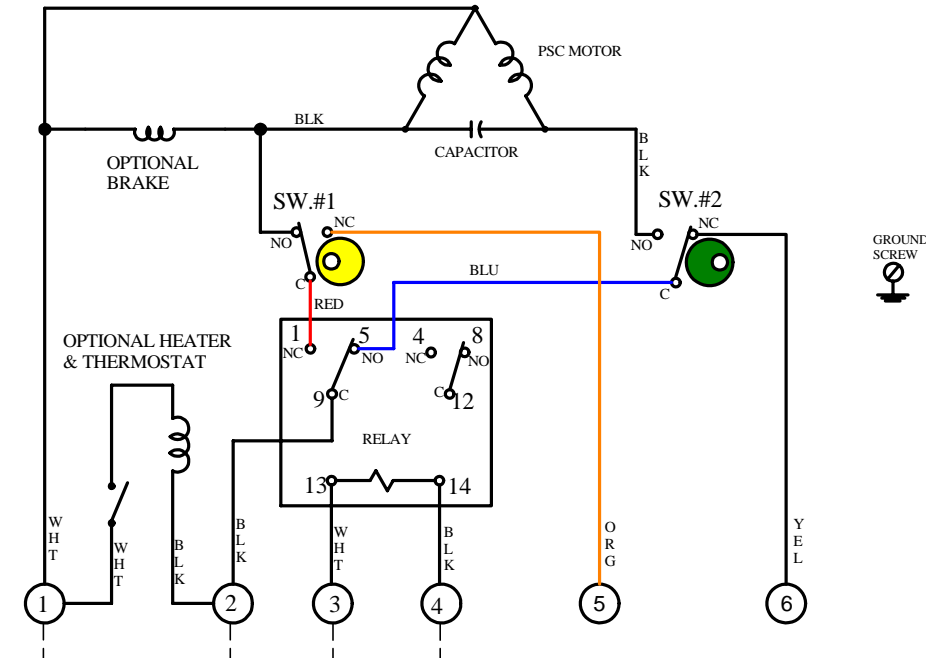


REV.	DESCRIPTION	DATE	BY

ACTUATOR SHOWN IN THE OPEN POSITION



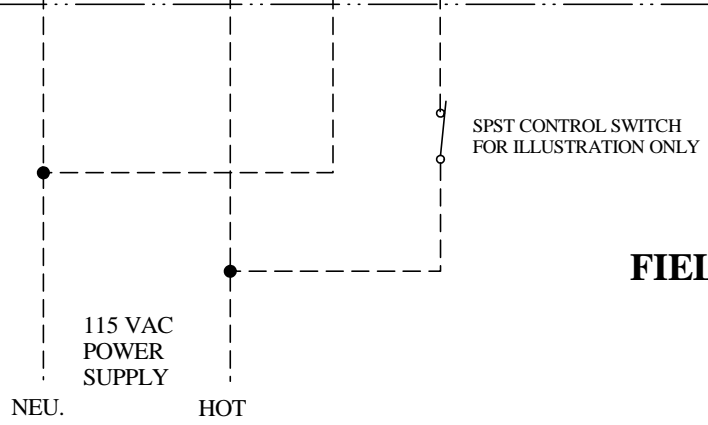
OPERATION:

SUPPLY POWER IS ALWAYS ON.

CONTROL IS THROUGH THE VENDOR SUPPLIED CONTROL DEVICE.
 ACTUATOR OPENS (CCW) WITH CONTACT CLOSURE.
 ACTUATOR CLOSSES (CW) WHEN CONTROL CONTACT IS OPENED.

CONNECTION:

SUPPLY POWER TO TERMINALS #1 & #2.
 CONTROL VOLTAGE TO TERMINALS #3 & #4.



FIELD WIRING

WIRING DIAGRAM, 115VAC ELECTRIC ACTUATOR WITH TWO WIRE CONTROL, OPTIONAL BRAKE, HEATER & THERMOSTAT	
I C Indelac Controls, Inc. I Florence, Ky. 41042	08AUG16 WJR
	W160808