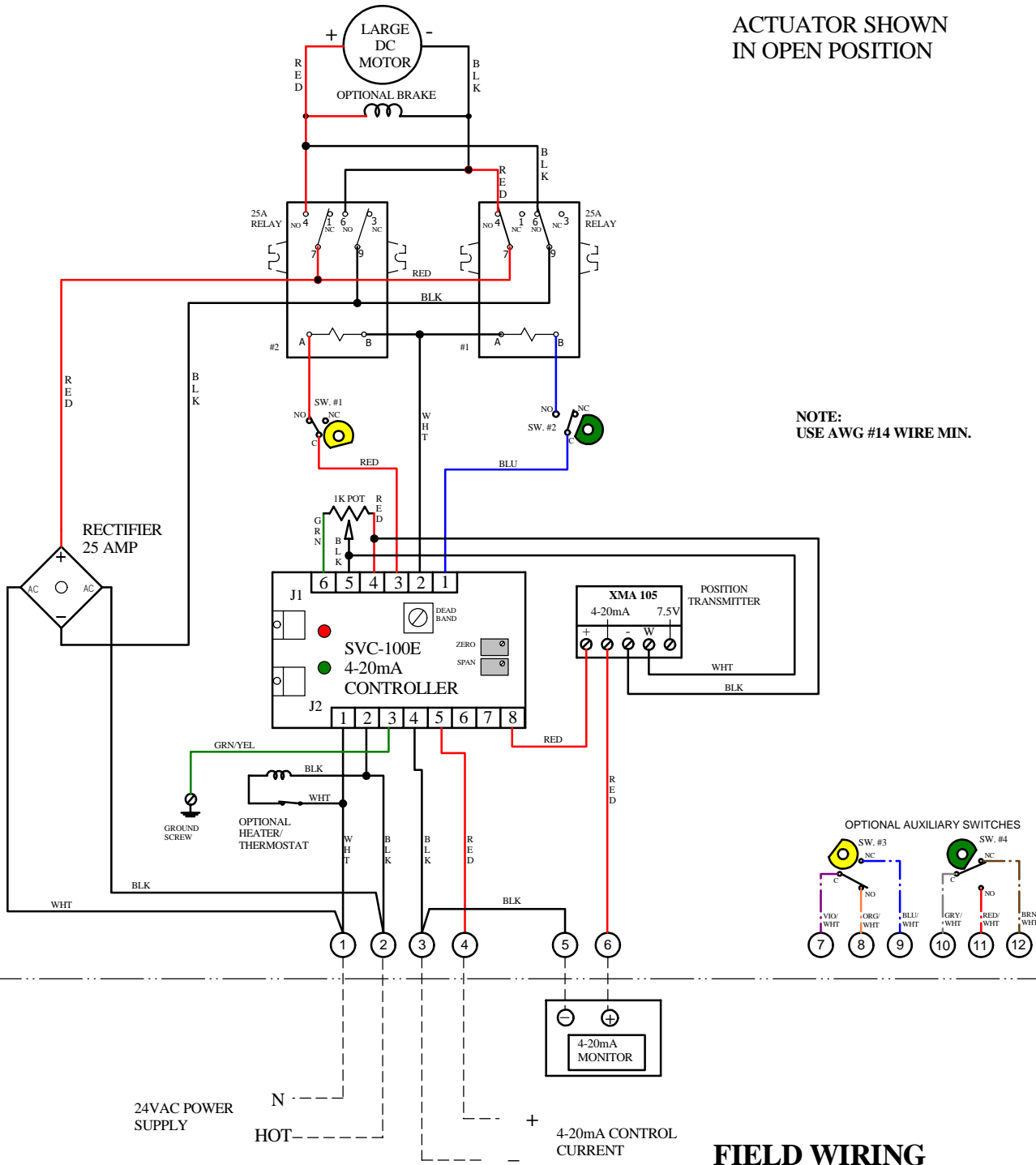
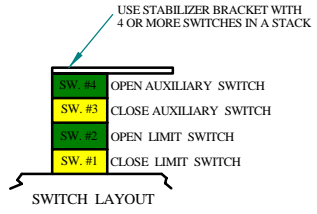


REV.	DESCRIPTION	DATE	BY

ACTUATOR SHOWN
IN OPEN POSITION



NOTE:
USE AWG #14 WIRE MIN.



NOTE:
THE FEEDBACK POTENTIOMETER AND LIMIT SWITCHES HAVE BEEN SET AT THE FACTORY - THEY DO NOT REQUIRE FURTHER CALIBRATION.

TO CALIBRATE THE OPEN AND CLOSE POSITION USE THE TRIM POTS LABELED Z (ZERO) FOR CLOSE AND S (SPAN) FOR OPEN.

FIELD WIRING

IC_I		Indelac Controls, Inc. Florence, Ky. 41042	
WIRING DIAGRAM, 24VAC "L" SERIES WITH 4-20mA POSITIONER, 4-20mA TRANSMITTER, OPTIONAL 2 AUXILIARY SWITCHES, BRAKE & HEATER /THERMO.			
OLD DWG. #:	26JUL16	WJR	W160726