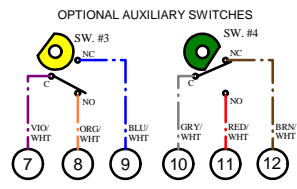
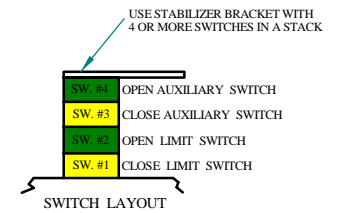
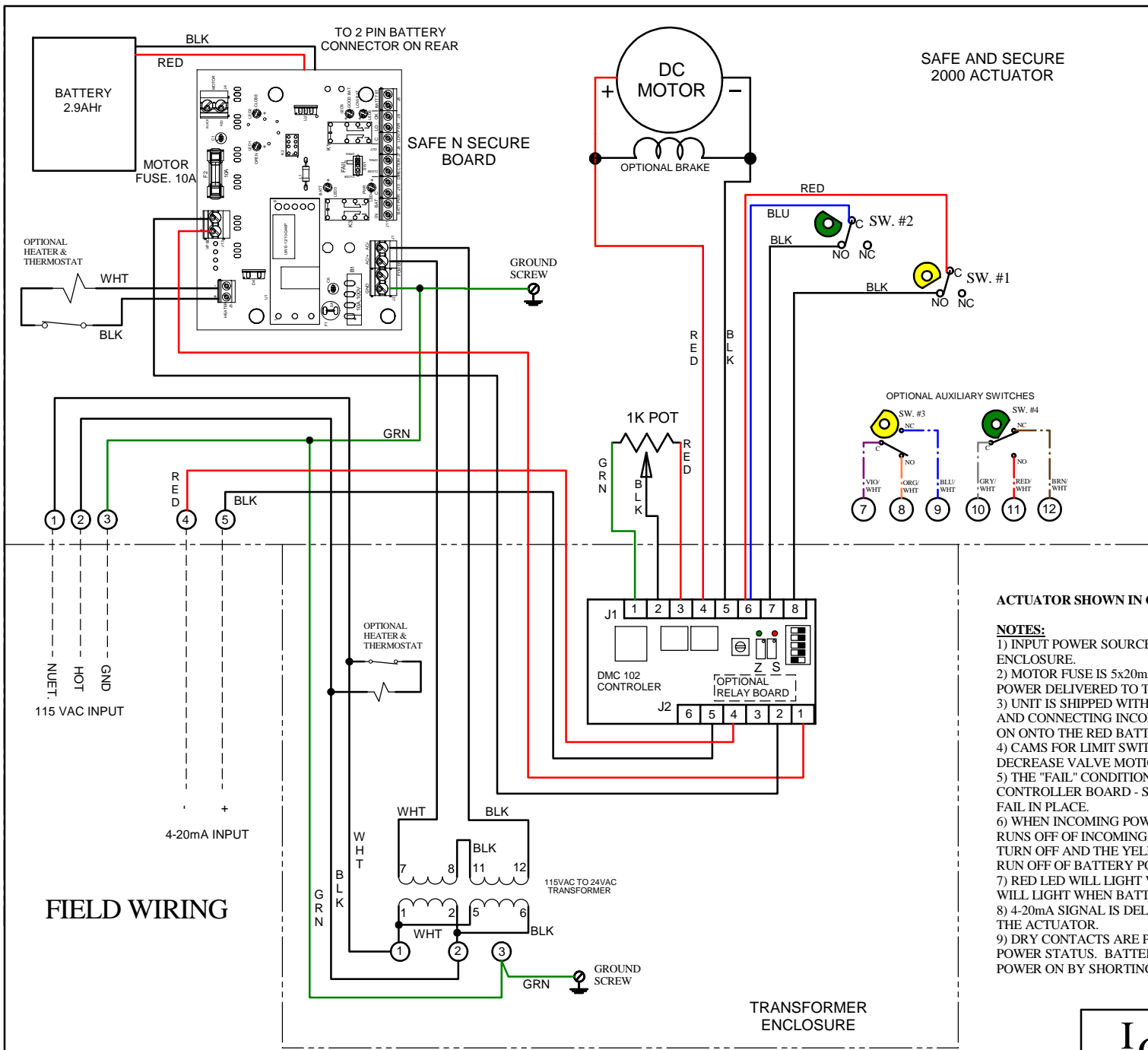


1	NEW WIRE COLOR CHANGE: AUX SWITCH WIRE	20APR16	WJR
---	--	---------	-----



ACTUATOR SHOWN IN OPEN POSITION

- NOTES:**
- 1) INPUT POWER SOURCE TO BE 115VAC @ 1.2A MINIMUM TO THE TRANSFORMER ENCLOSURE.
 - 2) MOTOR FUSE IS 5x20mm, 10A, 250VAC. INPUT FUSE IS PICO, TR5 AT 5A, 250VAC. POWER DELIVERED TO THE ACTUATOR WILL BE 24VAC.
 - 3) UNIT IS SHIPPED WITHOUT THE BATTERY PLUGGED IN. AFTER INSTALLING UNIT AND CONNECTING INCOMING POWER, PLUG THE POSITIVE BATTERY WIRE PUSH ON ONTO THE RED BATTERY TERMINAL.
 - 4) CAMS FOR LIMIT SWITCHES ARE PRESET AT THE FACTORY. TO INCREASE OR DECREASE VALVE MOTION, THE CAMS CAN BE ADJUSTED SLIGHTLY.
 - 5) THE "FAIL" CONDITION IS SET PER THE DIP SWITCHES ON THE DMC-102 CONTROLLER BOARD - SEE DATA SHEET FOR SETTINGS FOR FAIL OPEN, CLOSE OR FAIL IN PLACE.
 - 6) WHEN INCOMING POWER IS PRESENT, BLUE LED WILL BE LIT AND ACTUATOR RUNS OFF OF INCOMING POWER. WHEN INCOMING POWER FAILS, BLUE LED WILL TURN OFF AND THE YELLOW BATTERY LED WILL LIGHT - ACTUATOR WILL NOW RUN OFF OF BATTERY POWER UNTIL INCOMING POWER IS RESTORED.
 - 7) RED LED WILL LIGHT WHEN BATTERY VOLTAGE GETS TOO LOW. GREEN LED WILL LIGHT WHEN BATTERY VOLTAGE IS ABOVE 10.5VDC.
 - 8) 4-20mA SIGNAL IS DELIVERED TO THE DMC-102 DC BOARD TO OPEN AND CLOSE THE ACTUATOR.
 - 9) DRY CONTACTS ARE PROVIDED TO INDICATE BATTERY STATUS AND INCOMING POWER STATUS. BATTERY STATUS CAN BE CHECKED WITH THE INCOMING POWER ON BY SHORTING THE 2 BATT TEST POINTS J8-1 & 2 MOMENTARILY.

FIELD WIRING

TRANSFORMER ENCLOSURE

IC I	Indelac Controls, Inc.		
	Florence, Ky. 41042		
WIRING DIAGRAM, SAFE N SECURE 2000, 115VAC, "L" SERIES; 2.9AHR BATTERY, WITH AC XFMR & 4-20mA POSITIONER IN ENCLOSURE			
W150826			
	WJR	26AUG15	