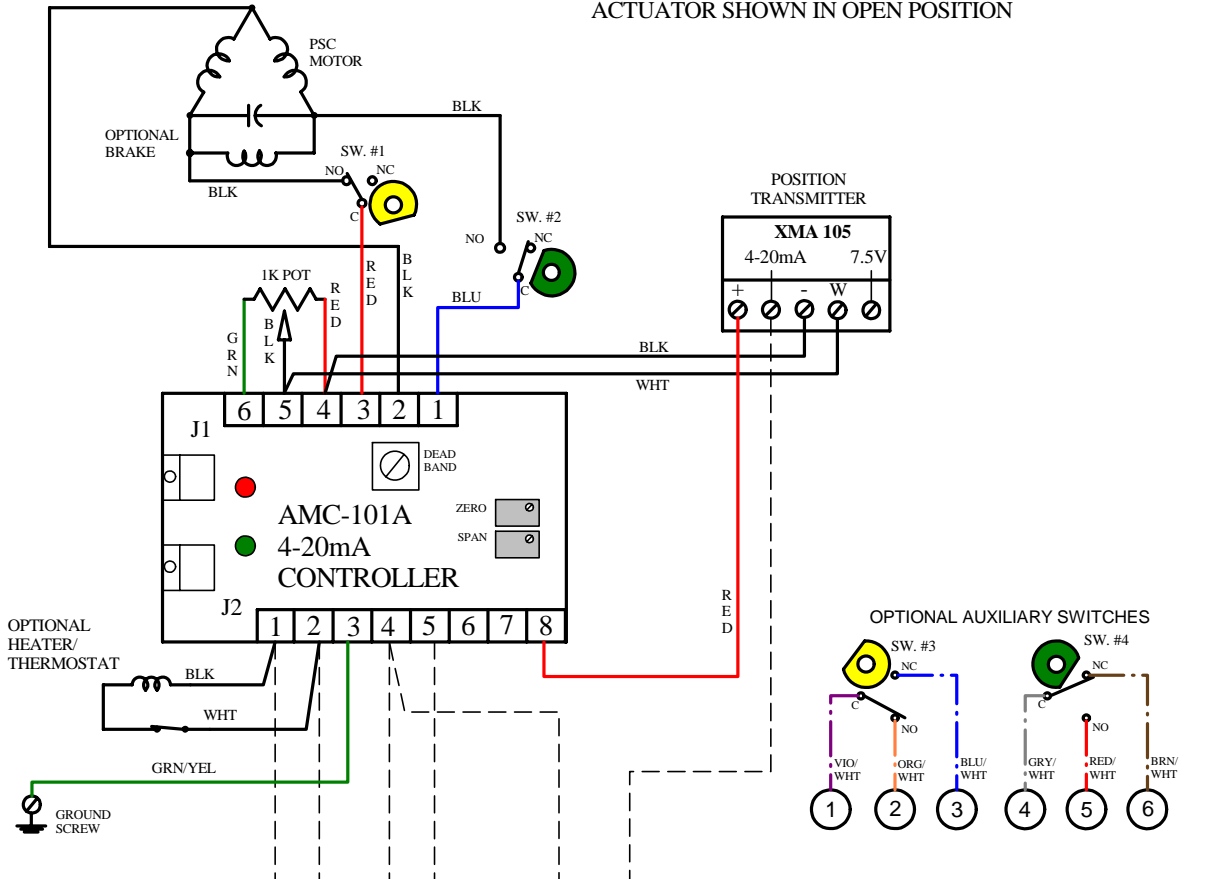
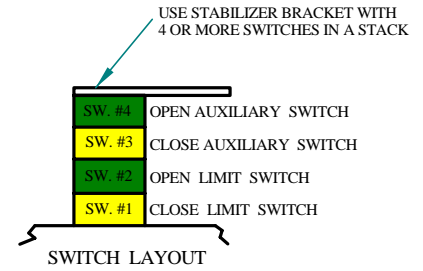


ACTUATOR SHOWN IN OPEN POSITION



| | | | |
|---|--------------------------------|---------|-----|
| 1 | NEW WIRE COLOR CHNGE TO AUX SW | 21JUL16 | WJR |
| | | | |
| | | | |

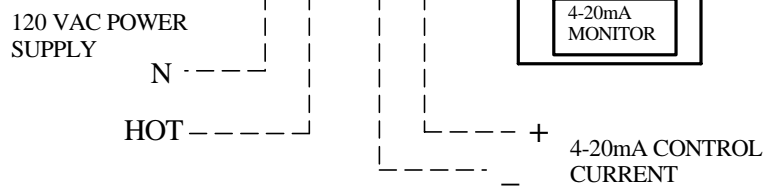


NOTE:
 THE FEEDBACK POTENTIOMETER AND LIMIT SWITCHES HAVE BEEN SET AT THE FACTORY - THEY DO NOT REQUIRE FURTHER CALIBRATION. (S SERIES; J1-4 IS GREEN, J1-6 IS RED WIRE)

TO CALIBRATE THE OPEN AND CLOSE POSITION USE THE TRIM POTS LABELED Z (ZERO) FOR CLOSE AND S (SPAN) FOR OPEN.

STEP ONE SHOULD BE TO ADJUST THE ZERO POSITION AND STEP TWO IS TO ADJUST THE SPAN POSITION.

FIELD WIRING



| | | | |
|--|-----------|---------|---|
| I C I Indelac Controls, Inc. Florence, Ky. 41042 | | | |
| WIRING DIAGRAM FOR ELECTRIC ACTUATOR WITH 2 AUX. SW'S, 4-20mA POSITIONER & TRANSMITTER | | | |
| | 3-29-2010 | W100329 | B |
| JLR | | | |