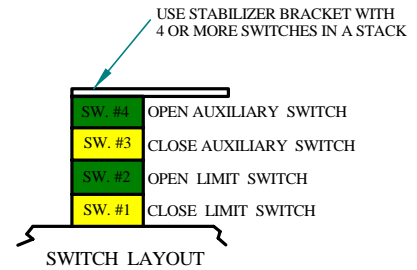
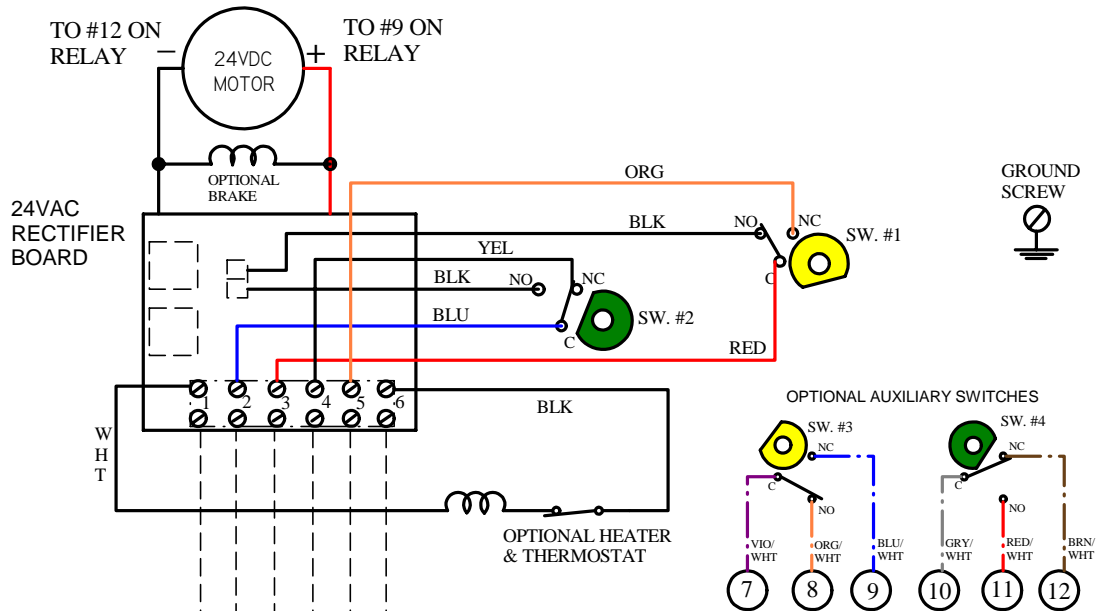
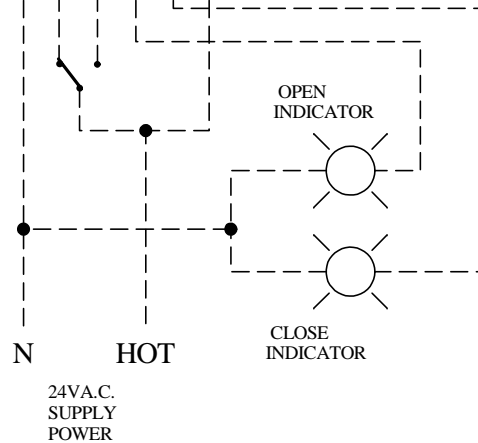


REV.	DESCRIPTION	DATE	BY
1	REMOVED POWER TERMINAL STRIP; ADD INDICATORS	20DEC13	WJR
2	CHANGED AUX. SWITCH WIRE COLORS; ADD STABILIZ	25APR16	WJR

ACTUATOR SHOWN IN OPEN POSITION



SPDT CONTROL SWITCH SHOWN FOR ILLUSTRATION ONLY



## FIELD WIRING

### NOTES:

POWER TO TERMINALS ONE & TWO OPENS THE VALVE (CCW ROTATION)  
 POWER TO TERMINALS ONE & THREE CLOSES THE VALVE (CW ROTATION)  
 TERMINALS 4 THROUGH 9 FOR AUXILIARY SWITCH CONNECTIONS.

### MOTOR WIRE RELAY CONNECTIONS:

"SD" 9 SECOND UNIT & "MH" = (+) PIN 12 // (-) PIN 9  
 ALL OTHERS = (+) PIN 9 // (-) PIN 12

WIRING DIAGRAM, 24VAC R & S SERIES  
 ACTUATOR WITH 2 AUXILIARY SWITCHES  
 & OPTIONAL HEATER / THERMOSTAT

**I C I** Indelac Controls, Co. 6-1-08 JLR  
 Florence, Ky. 41042 **W080601**