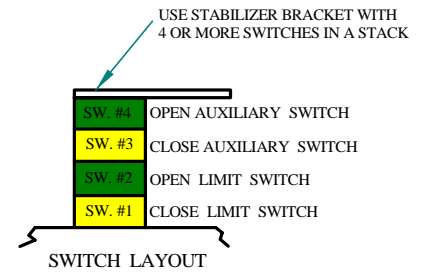
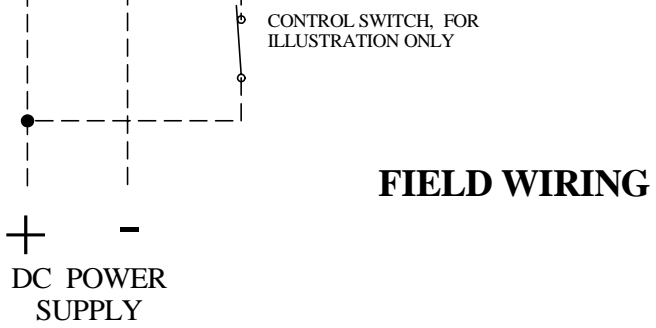
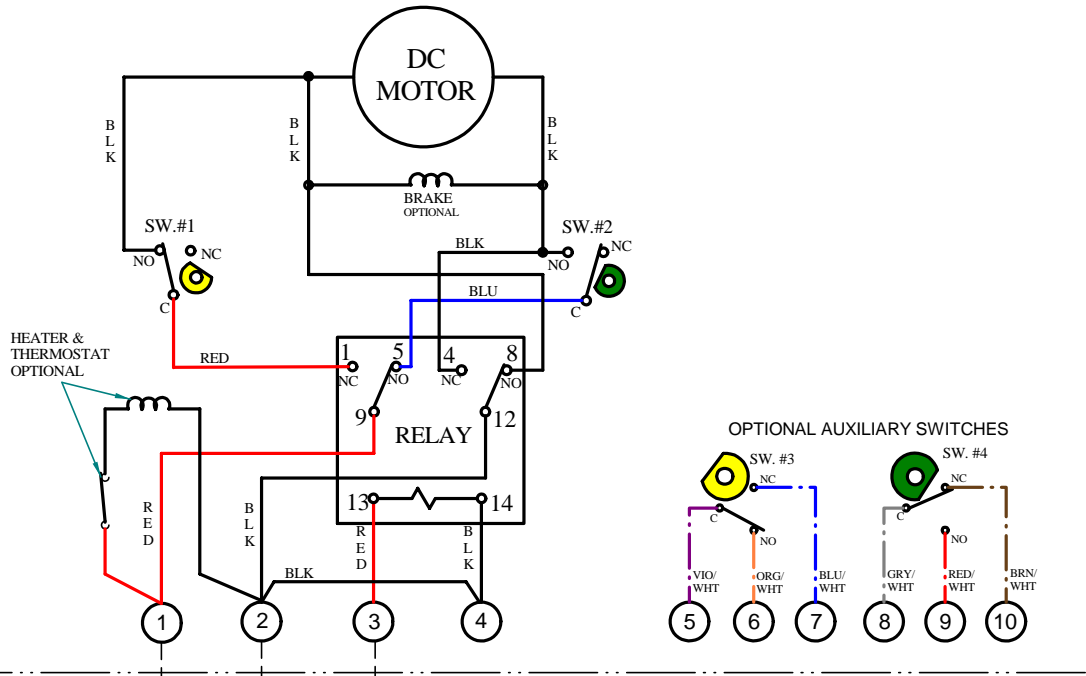


REV	DESCRIPTION	DATE	BY
1	ADDED JUMPER FROM T2 TO T4; REMOVED NEG. SUPPLY TO T4	6/23/15	JLR
2	CHANGED AUXILIARY SWITCH WIRE COLORS & CLEANED UP DWG.	12JUL16	WJR

ACTUATOR SHOWN IN THE OPEN POSITION



OPERATION:

SUPPLY POWER IS ALWAYS ON.

CONNECTION:

SUPPLY POWER TO T1 & T2; DRIVES CLOSE CONTROL VOLTAGE TO T3 ; DRIVES OPEN T5 - T10 SUPPLIED FOR AUXILIARY SWITCHES.

ICI Indelac Controls, Inc.
 Florence, KY 41042

WIRING DIAGRAM, DC ACTUATOR WITH TWO WIRE CONTROL, OPTIONAL HEATER / THERMOSTAT, BRAKE & TWO AUXILIARY SWITCHES

JLR	9-24-2007	W070924
-----	-----------	----------------