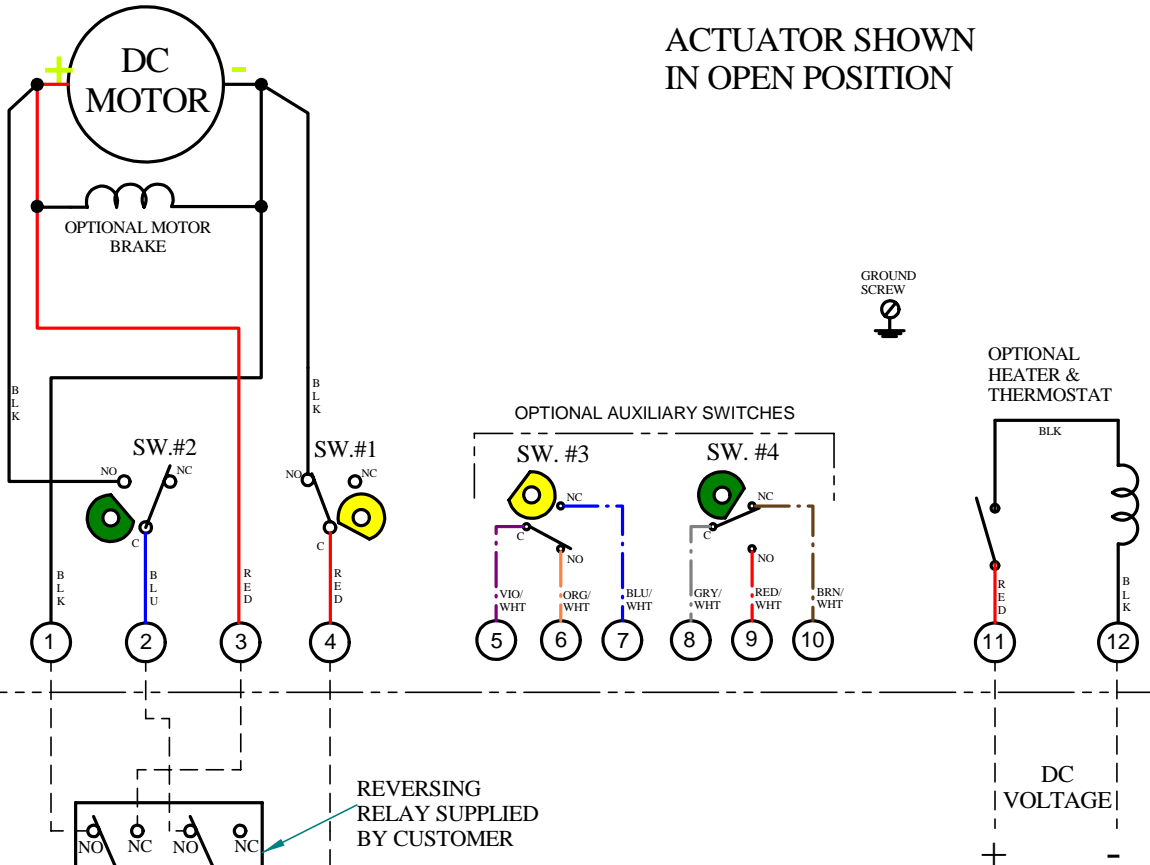
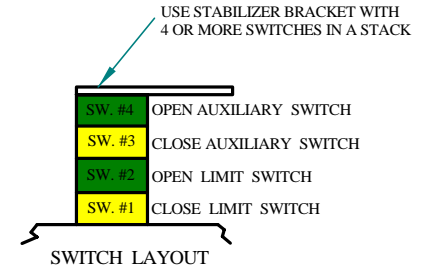


ACTUATOR SHOWN IN OPEN POSITION

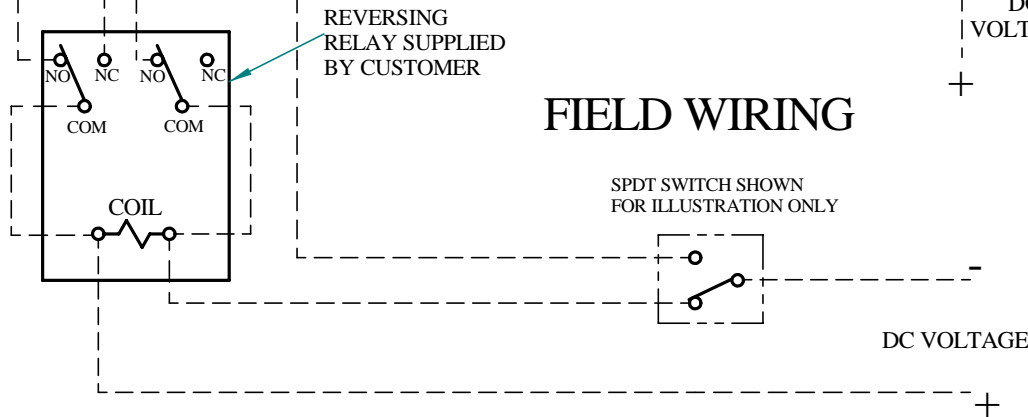


1	ADDED OPTIONAL BRAKE	10OCT13	WJR
2	NEW AUX. SW. WIRE COLORS	15MAR16	WJR
3	ADD ACTUATOR SERIES NOTE	22JUL16	WJR



OPERATION:
 POS. TO 1 & NEG. TO 2 TO OPEN (CCW)
 POS. TO 3 & NEG. TO 4 TO CLOSE (CW)
 IF MOTOR RUNS REVERSE, SWAP "+" & "-" ON THE MOTOR.
 5, 6 & 7 AUX. SW. FOR CLOSE POSITION
 8, 9 & 10 AUX. SW. FOR OPEN POSITION
 11 & 12 FOR SUPPLY POWER TO HEATER & THERMOSTAT.

FIELD WIRING



NOTE:
 FOR R, S SERIES & MH, MOTOR WIRED AS SHOWN.
 FOR MR, MS & ML, REVERSE (+) & (-) MOTOR WIRES.

		Indelac Controls, Inc.	
		Florence, Ky. 41042	
WIRING DIAGRAM, DC ACTUATOR, WITH OPTIONAL BRAKE & 2 AUXILIARY SWITCHES			
W011003			B
JLR	10-4-2001		