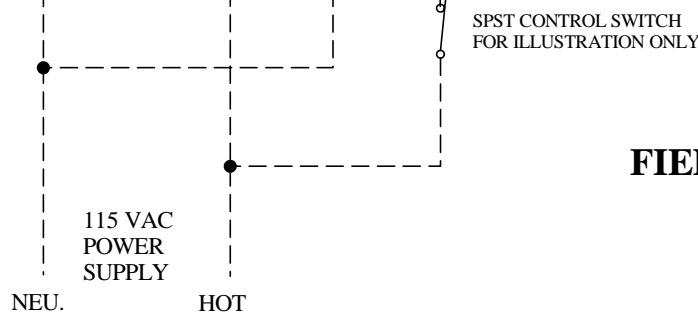
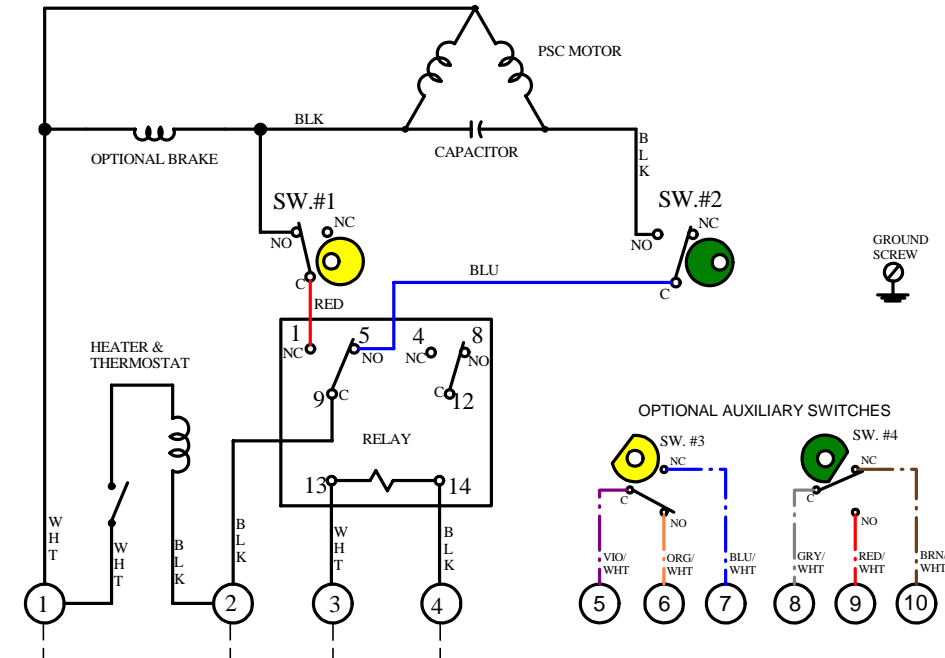
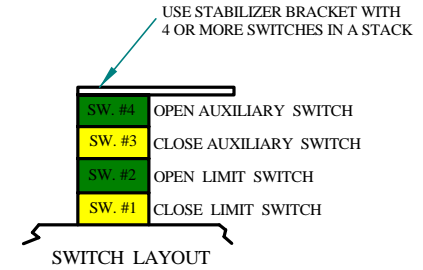


REV.	DESCRIPTION	DATE	BY
1	CHANGED AUX. SW. WIRE COLORS; BRAKE	31MAY16	WJR

ACTUATOR SHOWN IN THE OPEN POSITION



### FIELD WIRING



### OPERATION:

SUPPLY POWER IS ALWAYS ON.

CONTROL IS THROUGH THE VENDOR SUPPLIED CONTROL DEVICE.  
 ACTUATOR OPENS WITH CONTACT CLOSURE.  
 ACTUATOR CLOSES WHEN CONTROL CONTACT IS OPENED.

### CONNECTION:

SUPPLY POWER TO T1 & T2  
 CONTROL VOLTAGE TO T3 & T4  
 T5 & T10 SUPPLIED FOR AUXILIARY SWITCH CONNECTION.

WIRING DIAGRAM, 115VAC ELECTRIC ACTUATOR WITH TWO WIRE CONTROL, OPTIONAL HEATER & THERMOSTAT, BRAKE AND 2 AUXILIARY SWITCHES

**I C** Indelac Controls, Inc. 12-15-00 JLR  
 I Florence, Ky. 41042 **W001215**