



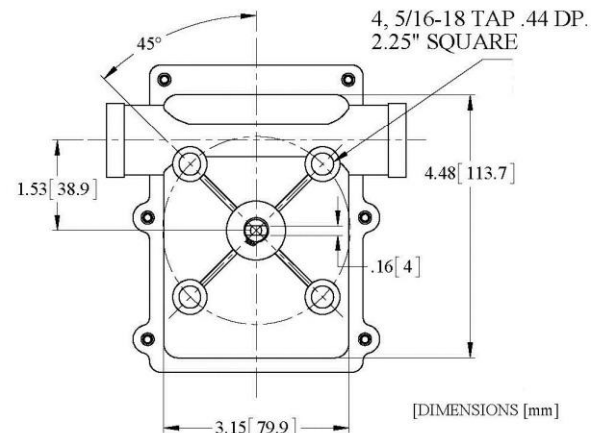
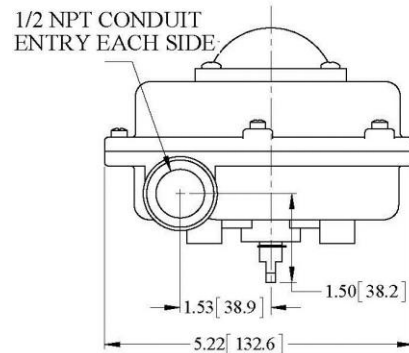
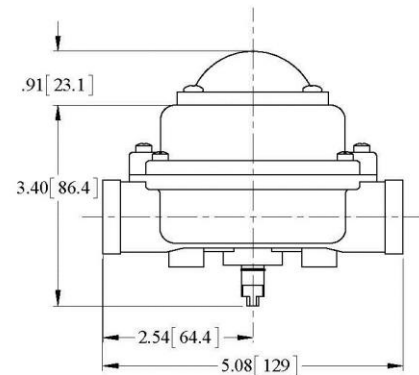
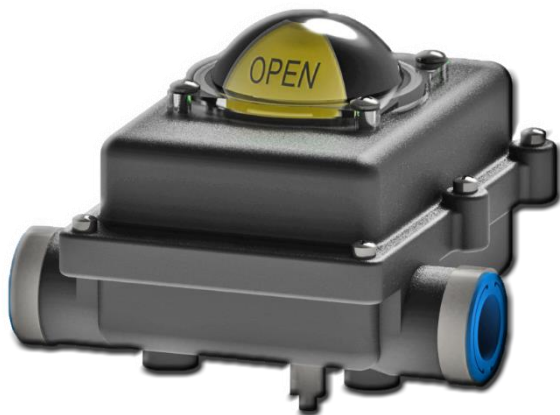
LIGHT WEIGHT CORROSION RESISTANT POSITION TRANSMITTER

Indelac controls is proud to introduce Model VT56, the first of our new posClon+ series position transmitters. ICI's new posClon+ series, like all of our products is 100% American made.

Model VT56 is a light weight corrosion resistant position transmitter manufactured from high impact resistant polycarbonate plus 20% fiberglass. With brass insert for all mounting connections for greater thread strength.

The posClon+ is also equipped with 300 series stainless steel drive shaft and fasteners. With captive cover screws there is no chance of dropping and losing fasteners during commissioning of your project.

The dome style visual position indicator provides local position indication at a glance. To set ICI's posClon+ position transmitters limit switches simply operate the actuator to the open position, push the top cam down and rotate to the desired position then operate the actuator to the close position pull the lower cam up and rotate to the desired position. The interlocking, spring loaded cams assure accurate, repeatable and reliable position indication.



SPECIFICATIONS:

CERTIFICATIONS	None – General Purpose Positioner Designed to meet NEMA 4, 4X & IP56
POSITION INDICATOR	Visual Dome Indicator
SHAFT & FASTENERS	303 Stainless steel
CONDUIT ENTRIES	(2) x 1/2" NPT
SEALS	Buna N
SWITCHES	Snap action SPT, 15A @ 250Vac
TERMINAL POINTS	8
TEMPERATURE	-40F (-40C) to 150F (65.6C),

[DIMENSIONS [mm]]