



RXP



100 IN-LBS, NEMA 7

The RXP model of the R series compact electric rotary actuator is designed for use in hazardous locations.

SPECIFICATIONS:

TORQUE 100 In-Lb (11.3 Nm)

CYCLE TIME 2.5 Sec./90 115Vac & 230Vac
2.9 Sec./90 12Vdc, 24Vdc, 24Vac motor (75%)

DUTY CYCLE 25% standard on 115Vac and 230Vac
75% standard on 12Vdc, 24Vdc and 24Vac

MOTOR Permanent split capacitor (for AC) with thermal overload protection



CURRENT RATINGS FL= Full Load, LR= Lock Rotor

115 Vac (Std.)		24 Vac		24 Vdc		12 Vdc		208 Vac/1Ph/60Hz		230 Vac/1Ph/60Hz	
FL	LR	FL	LR	FL	LR	FL	LR	FL	LR	FL	LR
0.40	0.55	0.40	2.40	0.40	2.40	0.60	2.90	0.36	0.72	0.33	0.38

The motor's LR amps must be taken into account when sizing the input power supply and fuses. Slow blow fuses are recommended

CERTIFICATIONS CSA Master Contract 178618

CLASSIFICATION Class I Groups C and D, Divisions 1 & 2; Class II Groups E, F & G, Divisions 1 and 2

CANADIAN CSA Std. C22.2 No. 139-1982 – Electrically Operated Valves,
CSA Std. C22.2 No. 25-1966 – Enclosures for use in Class II, Groups E, F & G Hazardous Locations
CSA Std. C22.2 No. 30-M 1986 – Explosion Proof Enclosures for use in Class I Hazardous Locations

UNITED STATES UL Std. No. 29, 5th Edition 1999 – Electrically Operated Valves
UL Std. No. 1203, 3rd Edition 2000 – Explosion Proof and Dust-Ignition-Proof Electric Equipment for use in Hazardous (Classified) Locations

APPROVED VOLTAGES 12Vdc, 24Vdc, 115Vac & 230Vac

APPROVED ENCLOSURES NEMA Type 4X, Type 7 and IP66

APPROVED TEMP. -4F (-20C) to 104F (40C)

APPROVED OPTIONS Power off Brake, One or Two Auxiliary Switches, 1K, 5K & 10K Potentiometers, Heater, Heater with Thermostat and Three Position (For complete list of options, see option grid in catalog page 33)

COATING Thermally bonded polyester powder

INDICATOR Visual Dome style
Electric Feedback from limit switches, same as operating voltage

SWITCHES Snap action SPDT, 15A @ 250Vac

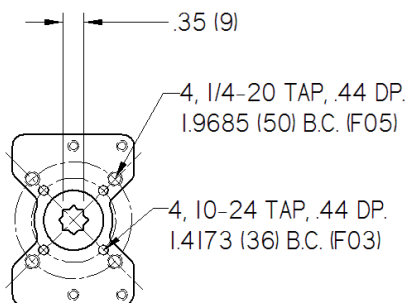
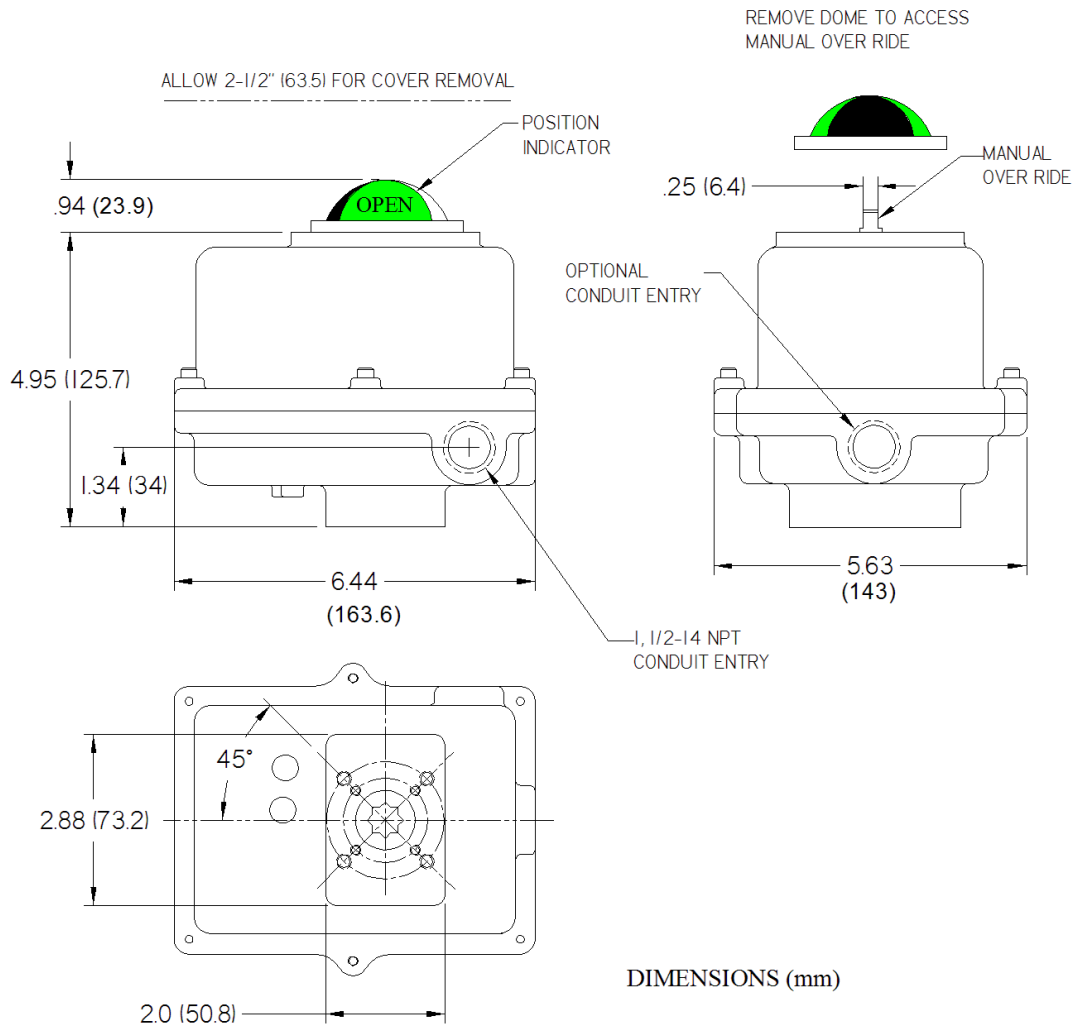
LUBRICATION Grease Permanent, little or no maintenance required

WEIGHT Pound 7 (lb)
Kilogram 3.2 (kg)

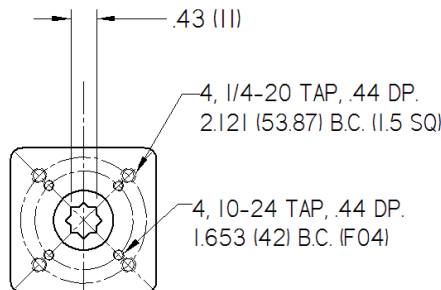
MOUNTING Universal

SPECIFICATIONS (CONTINUED):

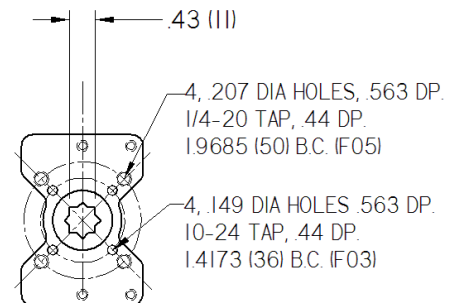
MOUNTING PAD	ISO 5211 F03 (9mm star drive), F04 (11mm star drive) or F03/04 (11mm star drive with F03 bolt circle)
TEMPERATURE	-40F (-40C) to 150F (65.6C), heater & thermostat required 0F and below Optional double heater for application up to -76F (-60C)
OVERRIDE	Manual, non-declutching Declutching manual override not available DC voltage cannot be manually operated



**ISO 5211 F03
STANDARD**



ISO 5211 F04



ISO 5211 F03/04