



# R SERIES



## 100 IN-LBS, NEMA 4

The R series compact electric rotary actuator was specifically designed for small ball valve and damper applications.

### SPECIFICATIONS:

**TORQUE** 100 In-Lb (11.3 Nm)

**CYCLE TIME** 2.5 Sec./90 115Vac & 230Vac  
2.9 Sec./90 12Vdc, 24Vdc, 24Vac motor (75%)

**DUTY CYCLE** 25% standard on 115Vac and 230Vac  
75% standard on 12Vdc, 24Vdc and 24Vac

**MOTOR** Permanent split capacitor (for AC) with thermal overload protection



**CURRENT RATINGS** FL= Full Load, LR= Lock Rotor

115 Vac (Std.)		24 Vac		24 Vdc		12 Vdc		208 Vac/1Ph/60Hz		230 Vac/1Ph/60Hz	
FL	LR	FL	LR	FL	LR	FL	LR	FL	LR	FL	LR
0.40	0.55	0.40	2.40	0.40	2.40	0.60	2.90	0.36	0.72	0.33	0.38

The motor's LR amps must be taken into account when sizing the input power supply and fuses. Slow blow fuses are recommended

**CERTIFICATIONS** CSA Master Contract 178618

**CANADIAN** CSA C22.2 No. 139-10 Electrically Operated Valves 3<sup>rd</sup> Edition, Class 3221 02 - Valves – General Purpose Actuators

**UNITED STATES** UL 429 Electrically Operated Valves 7th Edition, Class 3221 82 - Valves – Actuators General Purpose Actuators certified to US Standards

**APPROVED VOLTAGES** 12Vdc, 115Vac & 230Vac

**APPROVED TEMP.** -4F (-20C) to 104F (40C)

**APPROVED OPTIONS** Power off Brake, Spring Friction Brake, One or Two Auxiliary Switches (For complete list of options, see option grid in catalog page 33)

**COATING** Thermally bonded polyester powder

**INDICATOR** Visual Dome style  
Electric Feedback from limit switches, same as operating voltage

**SWITCHES** Snap action SPDT, 15A @ 250Vac

**LUBRICATION** Grease Permanent, little or no maintenance required

**WEIGHT** Pound 7 (lb)  
Kilogram 3.2 (kg)

**MOUNTING** Universal

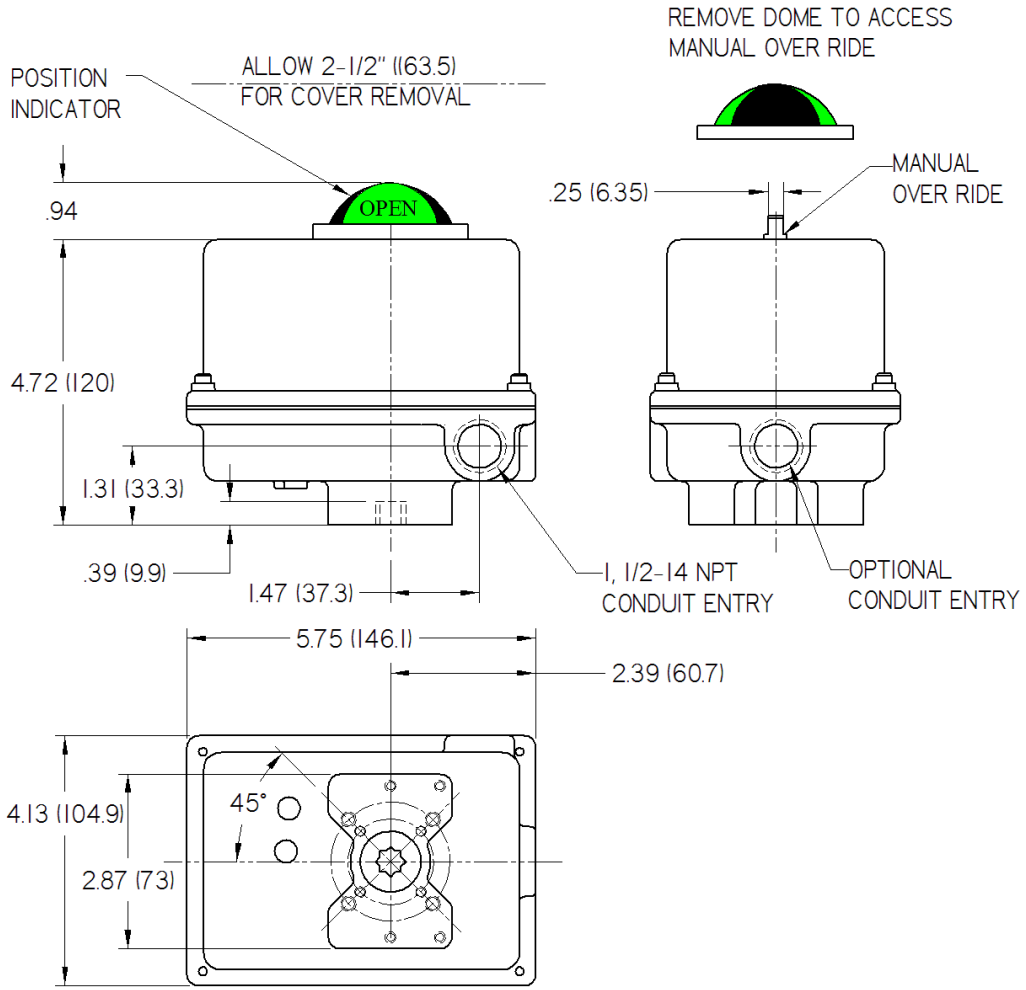
**MOUNTING PAD** ISO 5211 F03 (9mm star drive), F04 (11mm star drive) AND F03/04 (11mm star drive with F03 bolt circle)

**TEMPERATURE** -40F (-40C) to 150F (65.6C), heater & thermostat required 0F and below  
Optional double heater for application up to -76F (-60C)

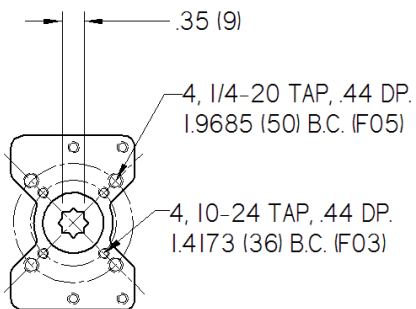
# SPECIFICATIONS (CONTINUED):

OVERRIDE

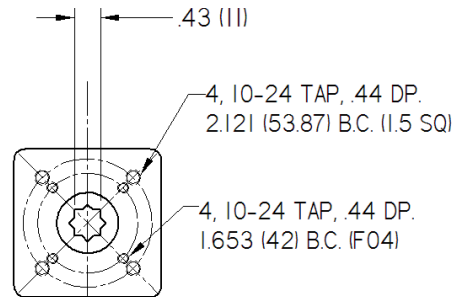
Manual, non-declutching  
 Declutching manual override not available  
 DC voltage cannot be manually operated



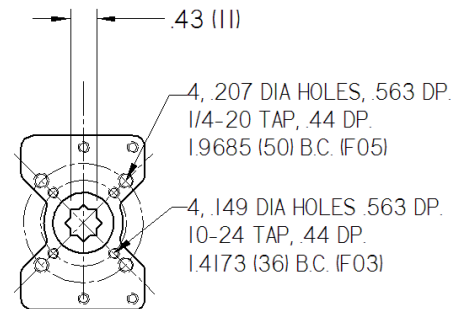
DIMENSIONS (mm)



**ISO 5211 F03  
 STANDARD**



**ISO 5211 F04**



**ISO 5211 F03/04**