



# INDELAC MODEL CV Series



## (165 IN-LB THRUST) NEMA 4 & 7

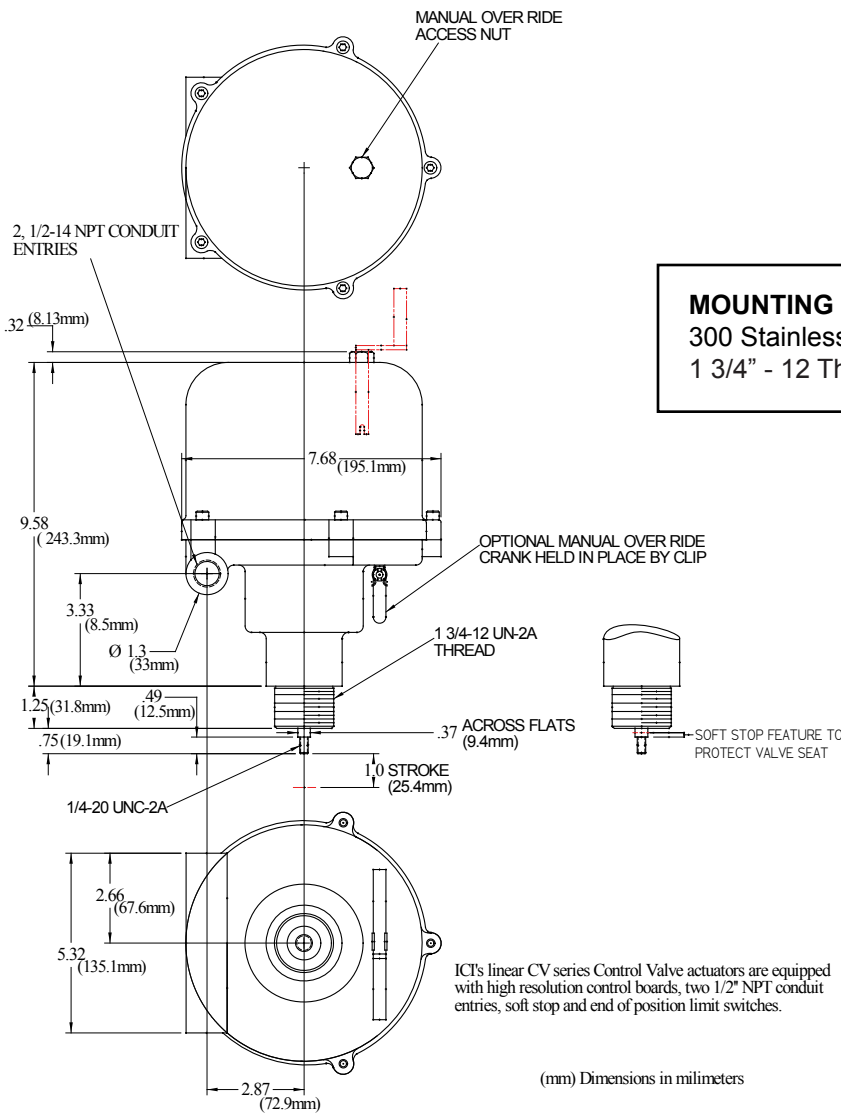
ICI's electric linear actuators are high quality, industrial grade machines designed for control valve automation. They are recommended for applications ranging from on/off to modulating process control. Indelac's linear actuators utilize precision ball screw technology to convert rotary motion to linear travel. The ball screw efficiently (>90%) converts rotary power (torque) to linear force in pounds thrust. Our ball screw drive system offers the most cost effective combination of speed, accuracy, efficiency, position repeatability, and quiet operation available on today's valve automation equipment. ICI's linear actuators are available from 12 Vdc to 230 Vac-1Ph. They are available in direct drive as well as spring return versions. The unique clutch/ball screw technology on our spring return models assures positive shut off regardless of valve position when power is lost.

### SPECIFICATIONS

|                      |  |           |
|----------------------|--|-----------|
| <b>THRUST</b>        | 165 In-Lb  | (18.5 Nm) |
| <b>CYCLE TIME</b>    | 9.6 IPM  |           |
| <b>DUTY CYCLE</b>    | 75%  |           |
| <b>ENCLOSURE</b>     | NEMA 4, 4X, 9 & 7 for Class I, Groups C & D, Class II, Groups E, F, & G, Division 1 & 2 Hazardous Location |           |
| <b>COATING</b>       | Thermally bonded polyester powder  |           |
| <b>POSITION IND.</b> | 4-20mA (optional)  |           |
| <b>SWITCHES</b>      | SPDT snap action, 15 Amps @ 250 Vac  |           |
| <b>POTENTIOMETER</b> | Linear   |           |
| <b>LUBRICATION</b>   | Permanent  |           |
| <b>WEIGHT</b>        | 20 Lbs   |           |
| <b>INSTALLATION</b>  | Universal  |           |
| <b>TEMP. RANGE</b>   | -40°F to 150°F<br>Heater & Thermostat required 0°F & below   |           |
| <b>OVERRIDE</b>      | Manual, Non declutching (standard)   |           |



# TECHNICAL DRAWINGS & WIRING DIAGRAM



**MOUNTING PAD**  
 300 Stainless steel  
 1 3/4" - 12 Thread

**MOTOR**  
 Permanent split capacitor  
 115 Vac / 1Ph / 50-60 Hz (standard)  
 with thermal over load protection

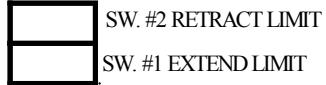
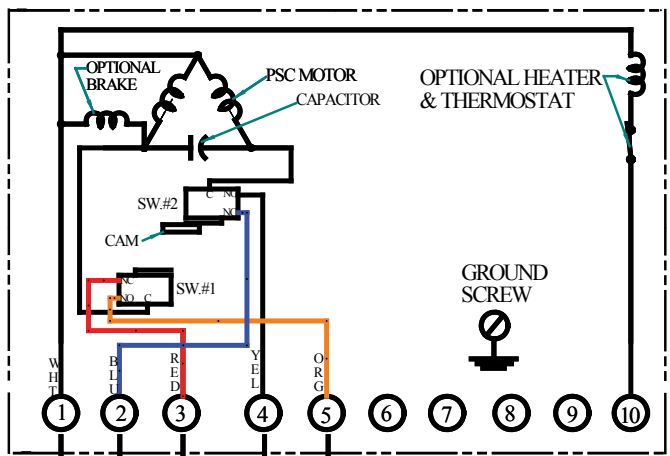
115 Vac (Std.)

24 Vac

24 Vdc

12 Vdc

Voltages Available



NOTES:  
 POWER TO TERMINALS ONE & TWO OPENS THE VALVE (RETRACTS STEM)  
 POWER TO TERMINALS ONE & THREE CLOSSES THE VALVE (EXTENDS STEM)  
 TERMINALS 4 & 5 ARE FOR LIGHT INDICATION

WIRING DIAGRAM ILLUSTRATES THE ACTUATOR IN THE OPEN POSITION

