



INDELAC MODEL 27 K

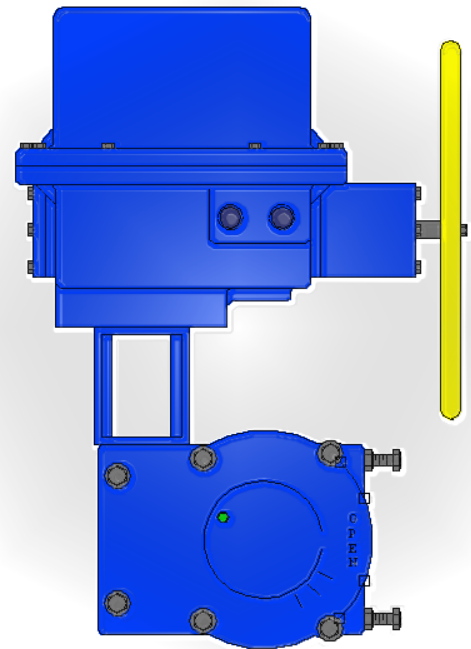


(27,300 IN-LB) NEMA 4 & 7

This series of heavy-duty reversing actuators were developed in 2007 and went into production early in 1996. ICI's K series rotary electric actuator is a machine that was designed to automate quarter turn equipment requiring up to 27,300 In-Lbs of torque. K series actuators are equipped with a combination of spur gear / worm gear drive train providing efficient and quiet operation, resistance to back driving and long maintenance free service.

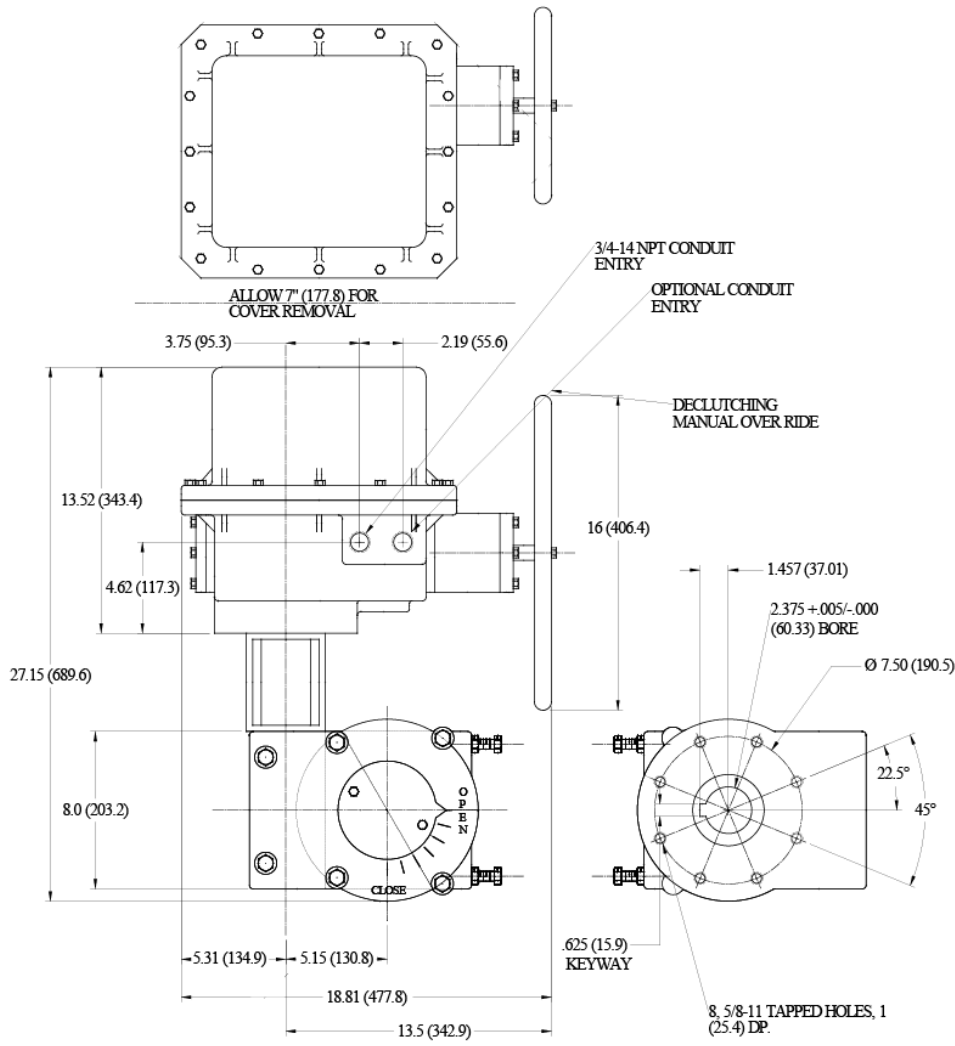
SPECIFICATIONS

TORQUE	27,300 In-Lb	(3,084 Nm)
CYCLE TIME	136 sec. / 90°	
DUTY CYCLE	30 Min	
ENCLOSURE	NEMA 4 (standard) NEMA 4x, 7, and 4/7 (optional)	
COATING	Thermally bonded polyester powder	
POSITION IND.	Visual indicator Wired for light indication	
SWITCHES	SPDT snap action, 15 Amps @ 250 Vac	
LUBRICATION	Permanent	
WEIGHT	170 Lbs	
INSTALLATION	Universal	
TEMP. RANGE	-40°F to 150°F Heater & Thermostat required 0°F & below	
OVERRIDE	Manual, declutching	



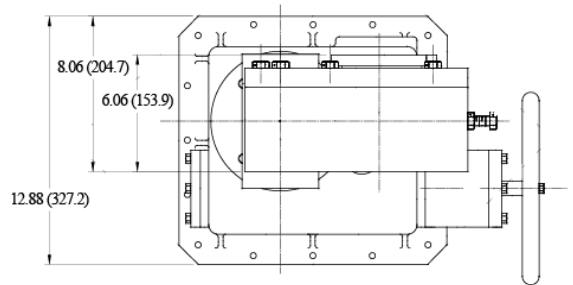
TECHNICAL DRAWINGS & WIRING DIAGRAM



MOUNTING PAD
2.375 BORE - 0.625 KEYWAY, 7.5" BC



MOTOR SPECIFICATIONS
Permanent split capacitor
115 Vac / 1Ph / 50-60 Hz (standard)
with thermal over load protection

115 Vac (Std.)	FL	2.8
	LR	7.1
208 Vac/1Ph/60Hz	FL	1.2
	LR	2.2
230 Vac/1Ph/60Hz	FL	1.2
	LR	4
230 Vac/3Ph	FL	0.95
	LR	4
460 Vac/3Ph	FL	0.5
	LR	2.16



 SW. #2 OPEN LIMIT
 SW. #1 CLOSE LIMIT

WIRING DIAGRAM DEPICTS THE ACTUATOR IN THE OPEN POSITION

NOTES:
POWER TO TERMINALS ONE & TWO OPENS THE VALVE (CCW ROTATION)
POWER TO TERMINALS ONE & THREE CLOSES THE VALVE (CW ROTATION)
TERMINALS 4 & 5 FOR LIGHT INDICATION
TERMINALS 6 THROUGH 11 FOR AUXILIARY SWITCHES & TERMINAL 12 FOR HEATER & THERMOSTAL.

