



**INDELAC**  
**CONTROLS**

**Control Panel with  
Valve Positioner (CPVP)  
Installation, Operation &  
Maintenance Manual**

**TELEPHONE:** +1-859-727-7890  
**TOLL FREE:** +1-800-662-9424  
**FAX:** +1-859-727-4070  
**E-MAIL:** DVOGES@INDELAC.COM  
MROBINSON@INDELAC.COM  
TCAYWOOD@INDELAC.COM  
**SHIPPING ADDRESS:** 6810 POWERLINE DR.-FLORENCE, KY. 41042

**VISIT OUR WEBSITE AT [WWW.INDELAC.COM](http://WWW.INDELAC.COM)**

## INTRODUCTION:

Thank you for selecting Indelac Controls, Inc. (ICI) for your valve or damper automation requirement. We at ICI are proud of our products and feel confident they will meet or exceed your expectations of quality and reliability.

Every precaution has been taken to insure that your equipment will arrive undamaged; however, accidents do occur. Therefore, the first thing you must do upon receipt of your package is to inspect it for damage. If the box is damaged there is a possibility that the equipment inside the box may be damaged as well. If this is the case **YOU MUST FILE A CLAIM** with the delivering **CARRIER**. All shipments are **F.O.B.** our factory and it is **YOUR RESPONSIBILITY** to file a claim for damages.

## STORAGE:

If the actuators are scheduled for installation at a later date:

1. Store off the floor.
2. Store in a climate controlled building.
3. Store in a clean and dry area.

## FOR FUTURE REFERENCE RECORD:

1. Control Panel model number \_\_\_\_\_
2. Control Panel enclosure type NEMA 4\_\_\_\_, NEMA 4X\_\_\_\_, NEMA 7\_\_\_\_, NEMA 4 & 7\_\_\_\_
3. Control Panel voltage \_\_\_\_\_
4. Motor characteristics of Actuator, Voltage \_\_\_\_\_ Hertz \_\_\_\_\_ Phase \_\_\_\_\_
5. Control Panel serial number \_\_\_\_\_
6. Date of installation \_\_\_\_\_ Put into operation \_\_\_\_\_

## INSTALLATION:

1. Check label for voltage, current and correct model number.
2. Check supply voltage to be sure model being used is correct for application.

### CAUTION: MUST BE INSTALLED BY A LICENSED ELECTRICIAN.

4. Turn off supply power.
5. Loosen cover screws and open enclosure, cover is hinged for your convience.

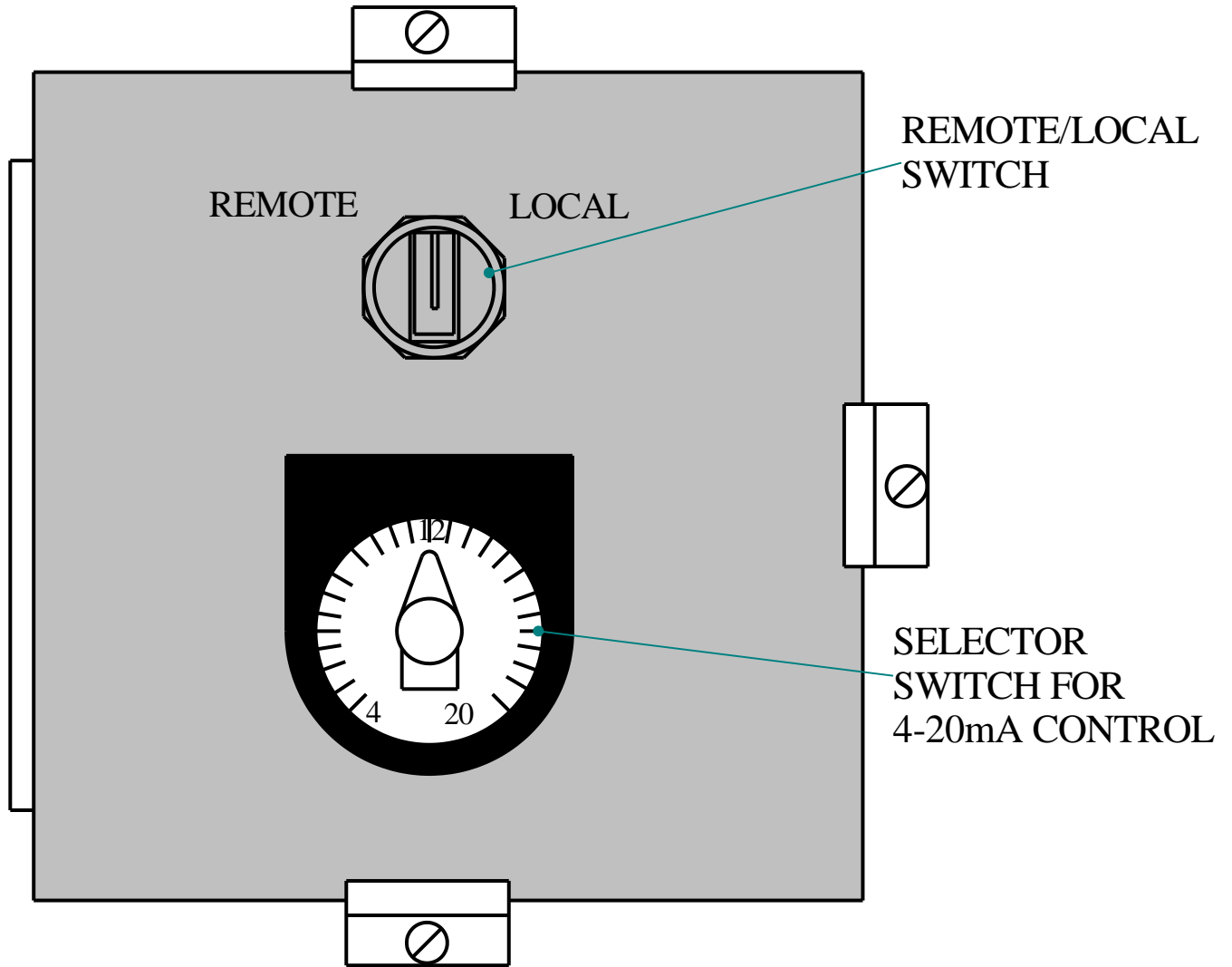
**NOTE:** It is necessary to have two conduit openings, one for supply power and one for power out to the actuator. When mounted to the actuator all wiring from the CPVP to the actuator is made at the factory. Model CPVP control panels not close coupled to the actuator are provided with mounting feet for wall mounting, use appropriate size screws to support the weight of the control panel.

6. See wiring diagram below for typical CPVP wiring for two position electric actuator control.
7. Close cover and secure cover screws.
8. Turn on supply power.

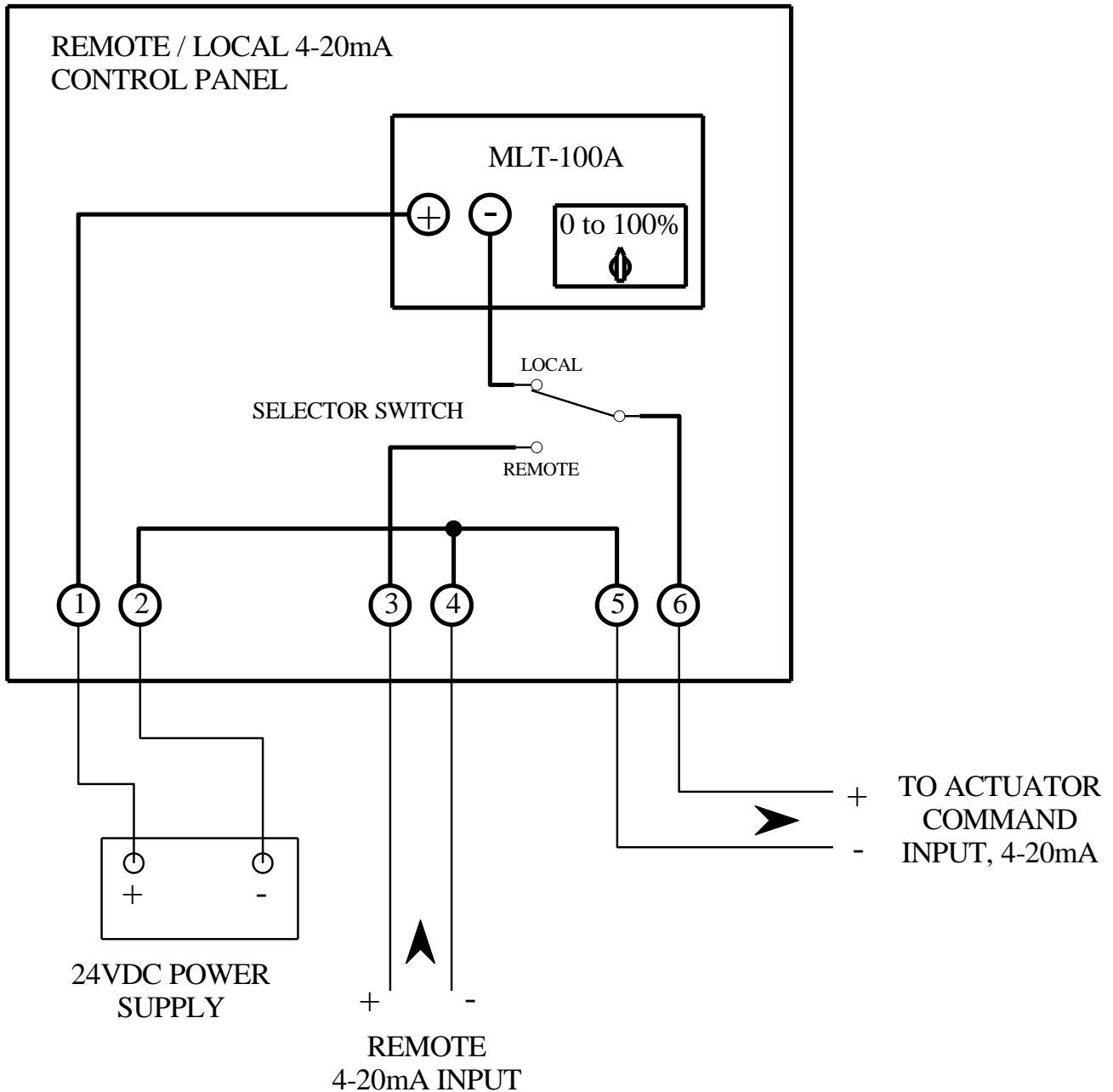
---

**OUTLINE CPVPRL4XSS-ALT WITH REMOTE/OFF/LOCAL SWITCH &  
4-20mA TRANSMITTER**

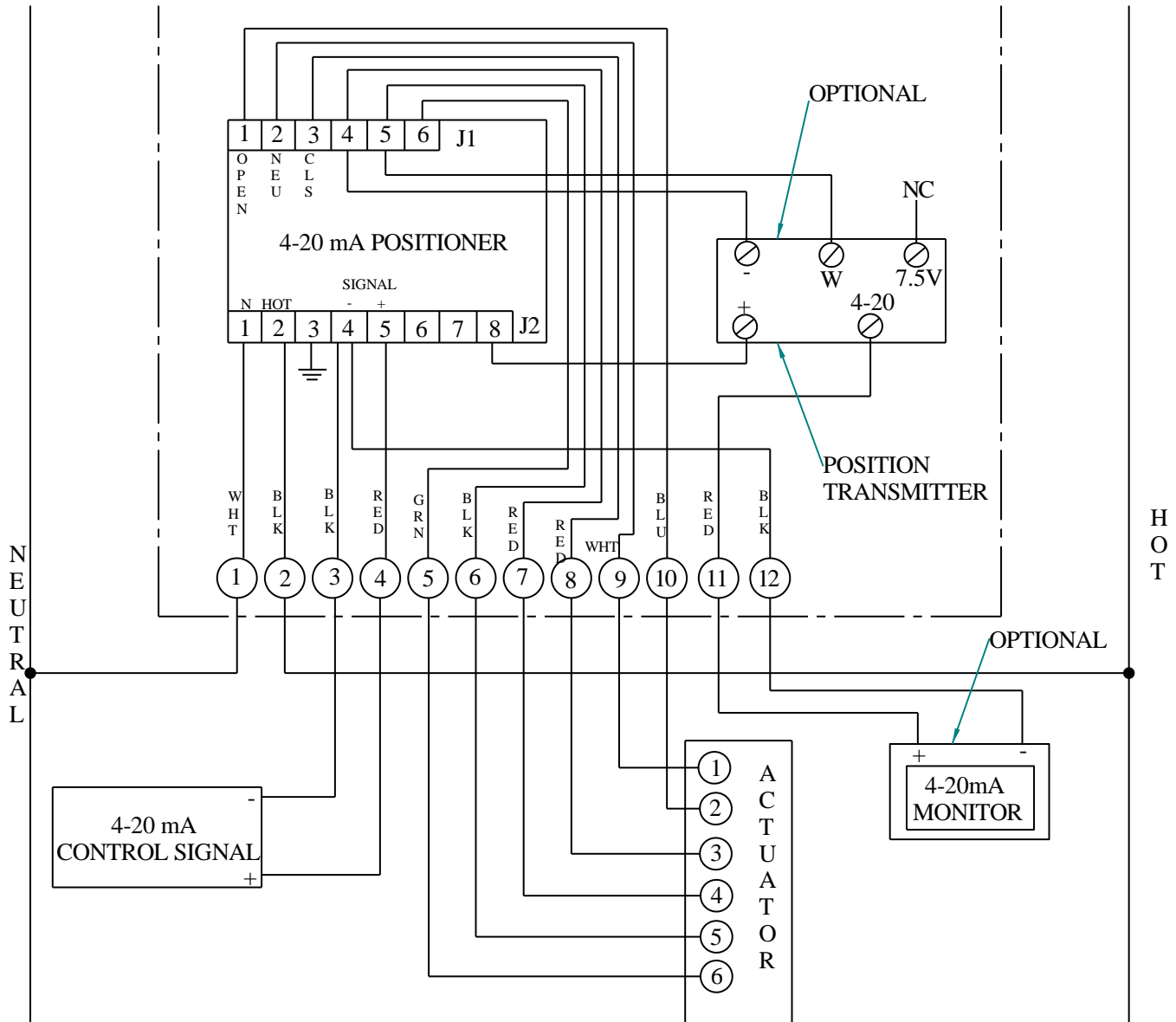
---



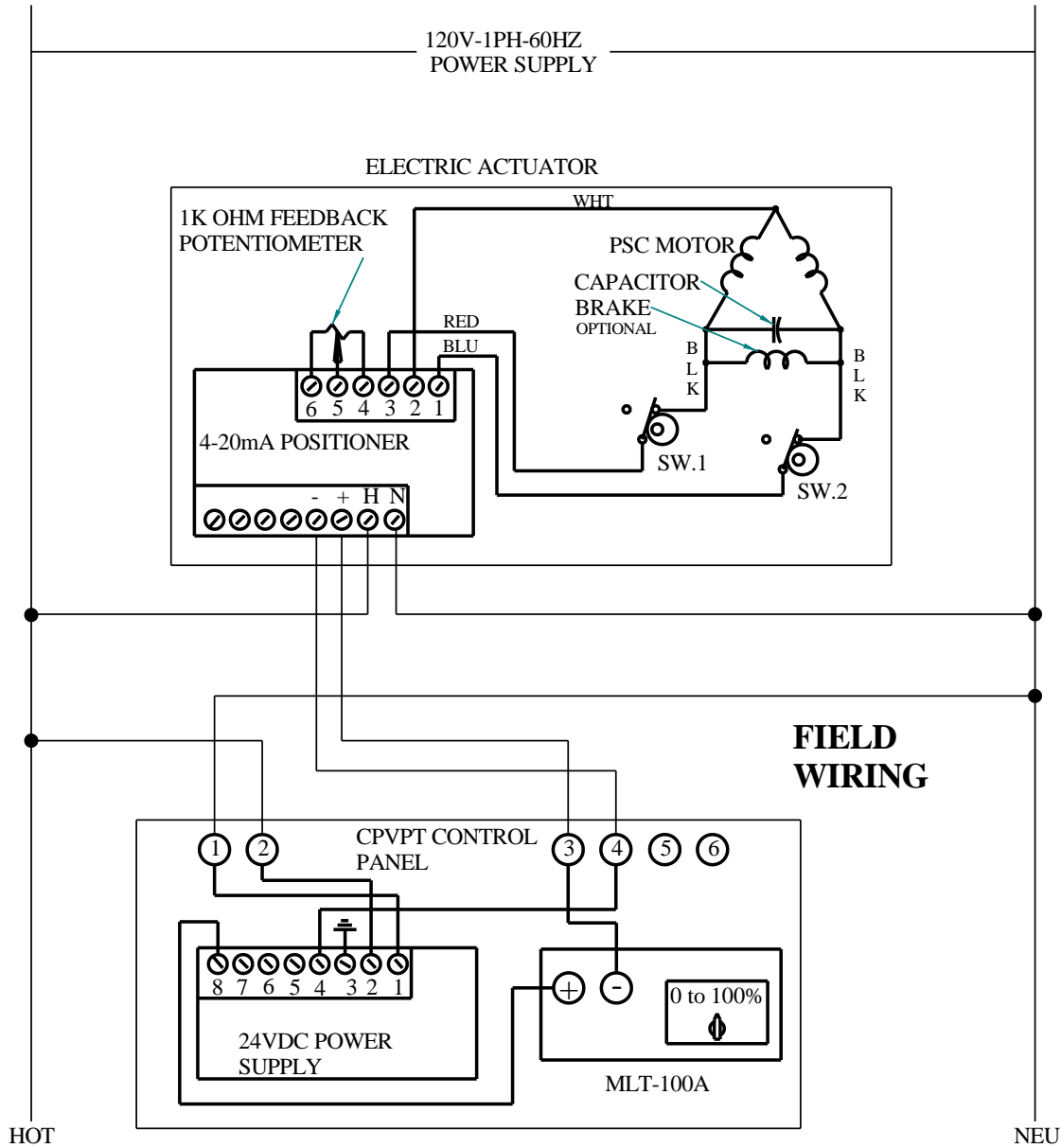
### WIRING DIAGRAM CPVPRL4XSS-ALT WITH REMOTE/OFF/LOCAL SWITCH & 4-20mA TRANSMITTER



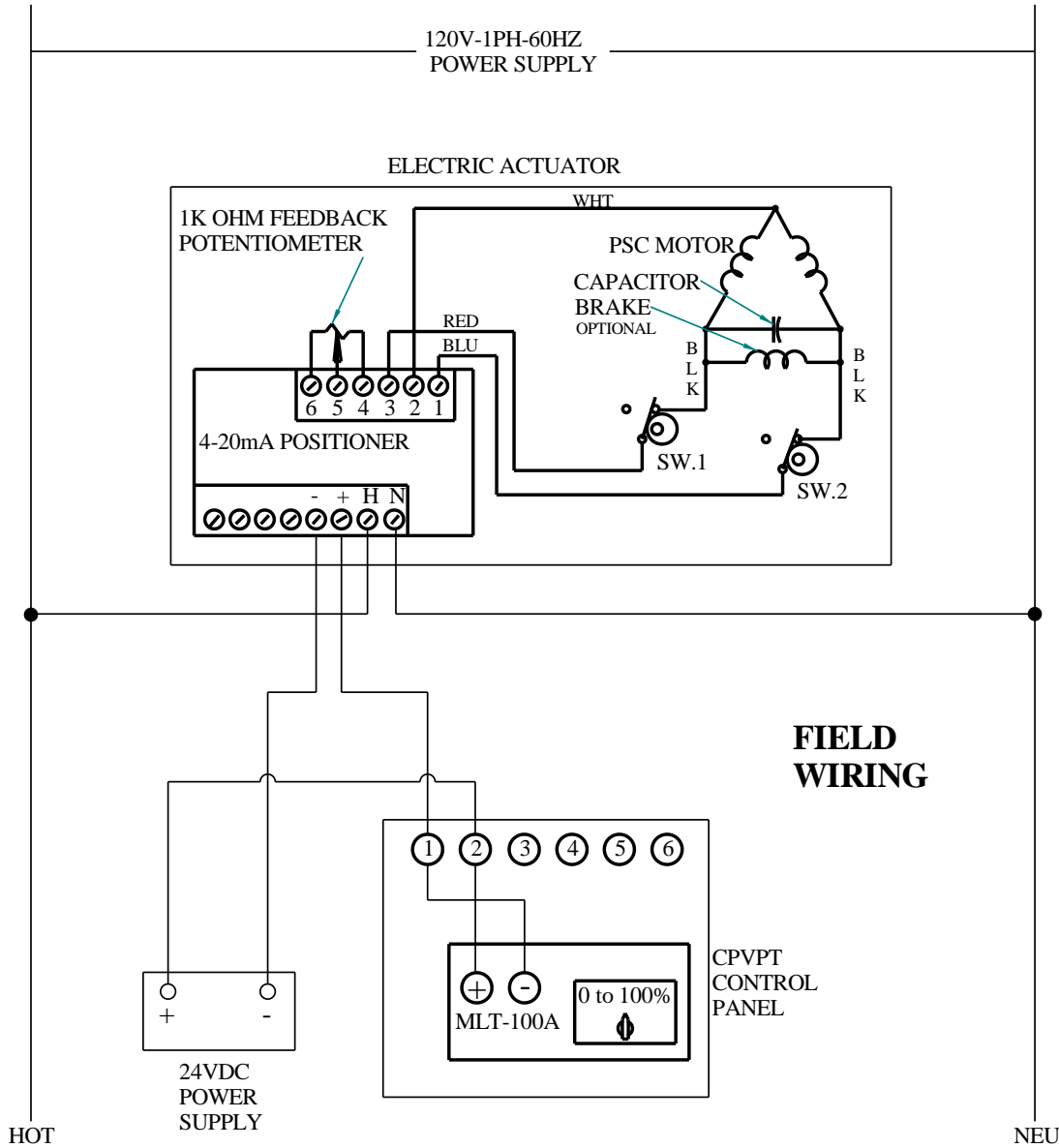
## WIRING DIAGRAM CPVPP WITH 4-20 TRANSMITTER & 4-20mA POSITIONER



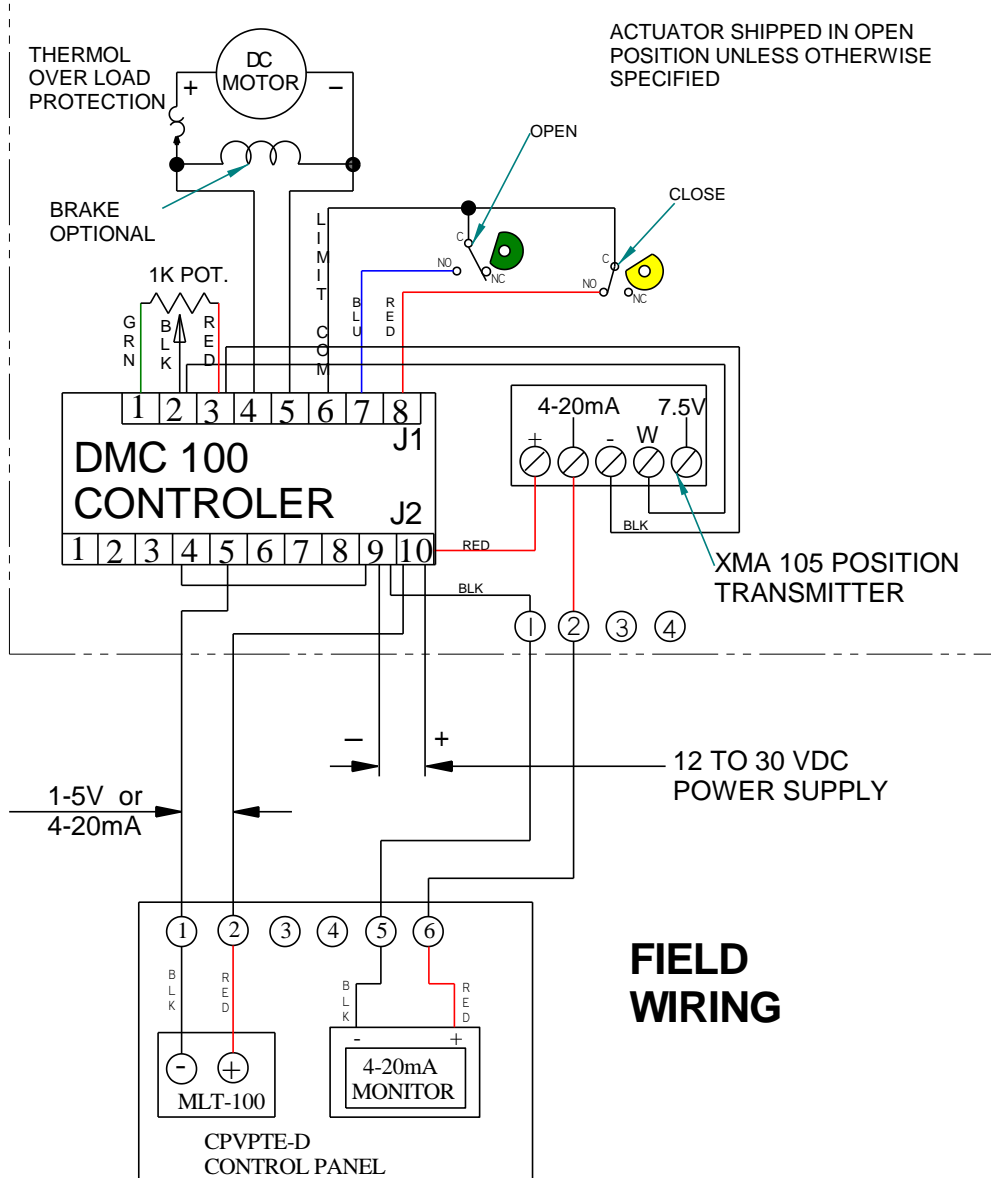
## CONNECTION DIAGRAM CPVPT-PS WITH INTERNAL POWER SUPPLY TO ACTUATOR WITH 4-20mA POSITIONER



## CONNECTION DIAGRAM CPVPT WITH EXTERNAL POWER SUPPLY TO ACTUATOR WITH 4-20mA POSITIONER



## CONNECTION DIAGRAM CPVPTI-D WITH 4-20mA MONITOR (FEEDBACK) TO ACTUATOR WITH 4-20mA POSITIONER & 4-20mA POSITION TRANSMITTER





**OPERATION:**

To operate the actuator using the CPVP control first determine the desired valve position then rotate the knob on the front of the panel to open or close, the actuator will travel to the selected position. When the close position is selected the actuator will rotate 90° clockwise CW where the limit switch de-energizes the motor and travel stops. When the open position is selected the actuator will rotate 90° counter clockwise CCW where the limit switch de-energizes the motor and travel stops.

**MAINTENANCE:**

After proper installation, *ICI's* control panels require no actual maintenance. *ICI* electric actuators are permanently lubricated and therefore under normal conditions require little or no maintenance.

The following chart has been provided for your record keeping should the unit ever require maintenance:

DATE	REASON	BY

**MAINTENANCE:**

SYMPTOM	PROBLEM	SOLUTION
Valve does not respond to control signal.	Power not on.	Turn on power.
	Power disconnect switch not on.	Switch to on position.
	Wrong voltage.	Connect correct voltage.
	Wired incorrectly.	Check wiring.
Valve does not travel full stroke.	Valve torque exceeds actuator torque.	Check sizing.
	Actuator cam adjustment set incorrect.	Adjust cam.

**INDELAC CONTROLS INC.**   
**AMERICAN MADE ACTUATORS & CONTROLS**



**INDELAC 1-YEAR STANDARD WARRANTY POLICY:**

INDELAC CONTROLS, INC. (ICI) WARRANTS THAT FOR A PERIOD OF 1 YEAR FROM THE DATE OF SHIPMENT IT WILL EITHER REPAIR OR REPLACE, AT ITS OPTION, ANY OF ITS PRODUCTS, WHICH PROVE TO BE DEFECTIVE IN MATERIAL OR WORKMANSHIP.

THIS WARRANTY DOES NOT COVER DAMAGE RESULTING FROM CAUSES SUCH AS ABUSE, MISUSE, MODIFICATION OR TAMPERING.

THIS WARRANTY IS EXTENDED ONLY TO THE REGISTERED PARTY, FOR WHICH THE PRODUCT SERIAL NUMBER MATCHES. THE EXTENDED WARRANTY OF ICI'S PRODUCT AND IS NOT TRANSFERABLE.

TO OBTAIN SERVICE UNDER THIS WARRANTY, THE PURCHASER MUST FIRST OBTAIN A RETURN AUTHORIZATION NUMBER FROM ICI. PRODUCTS MUST BE RETURNED TO ICI FREIGHT PREPAID FOR EVALUATION.

IF THE UNIT FAILED DUE TO POOR WORKMANSHIP OR MATERIALS THE UNIT WILL BE REPAIRED OR REPLACED. THE UNIT WILL BE RETURNED GROUND/STANDARD FREIGHT PAID BY ICI, IF AIR/RUSH SHIPMENT IS REQUESTED THE PURCHASER SHALL PAY THE DIFFERENCE.

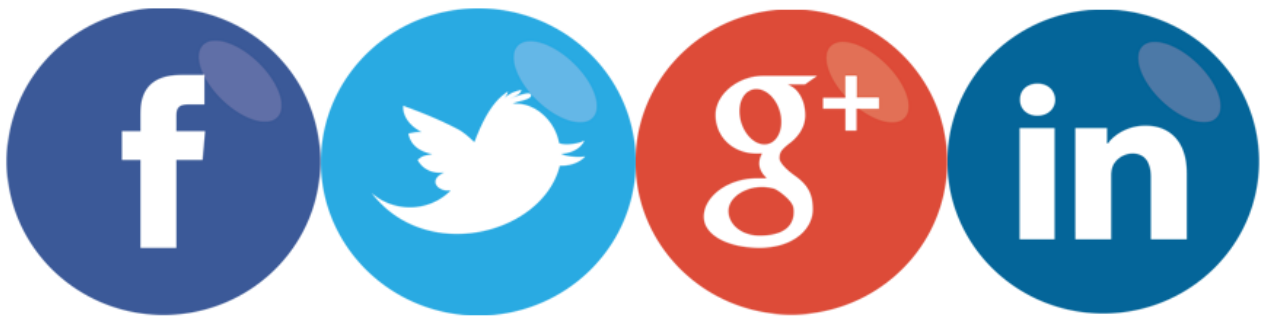
THIS WARRANTY IS IN LIEU OF ALL OTHER OBLIGATIONS, LIABILITIES OR EXPRESSED WARRANTIES. ANY IMPLIED WARRANTIES, INCLUDING ANY IMPLIED WARRANTY OF MERCHANTABILITY ARE HEREBY EXPRESSLY EXCLUDED.

IN NO EVENT SHALL ICI BE LIABLE FOR SPECIAL, INCIDENTAL OR CONSEQUENTIAL DAMAGES ARISING IN CONNECTION WITH THE USE OF ITS PRODUCTS, OR FOR ANY DELAY IN THE PERFORMANCE OF THIS WARRANTY DUE TO CAUSES BEYOND ITS CONTROL.

6810 POWERLINE DR. - FLORENCE, KY. 41042 - TELEPHONE 859-727-7890, TOLL FREE 1-800-662-9424  
FAX. 859-727-4070, E-MAIL: [DVOGES@INDELAC.COM](mailto:DVOGES@INDELAC.COM), OR [MROBINSON@INDELAC.COM](mailto:MROBINSON@INDELAC.COM)  
[VISIT OUR WEBSITE AT WWW.INDELAC.COM](http://WWW.INDELAC.COM)

**REGISTER ONLINE FOR INDELAC'S EXTENDED 2-YEAR WARRANTY**





### Contact Information

Debbie Voges	<a href="mailto:dvoges@indelac.com">dvoges@indelac.com</a>	859-727-7890 ext. 100
Matt Robinson	<a href="mailto:mrobinson@indelac.com">mrobinson@indelac.com</a>	859-727-7890 ext. 109
Talbot Caywood	<a href="mailto:tcaywood@indelac.com">tcaywood@indelac.com</a>	859-727-7890 ext. 110

For News & Updates, Check Out Our Blog: [www.blog.indelac.com](http://www.blog.indelac.com)